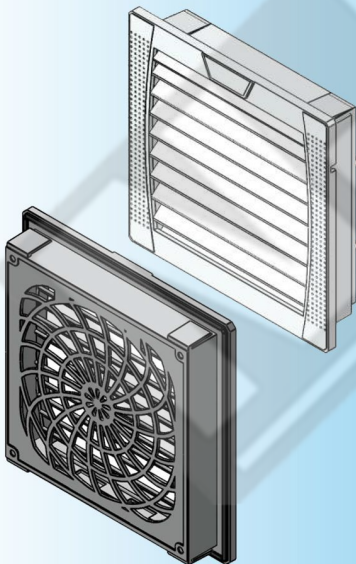


For Product Step File or 3D Model Send a Request Mail To info@nrack.com

Photo View



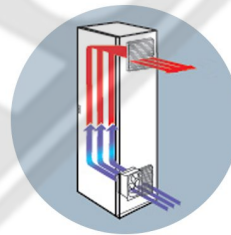
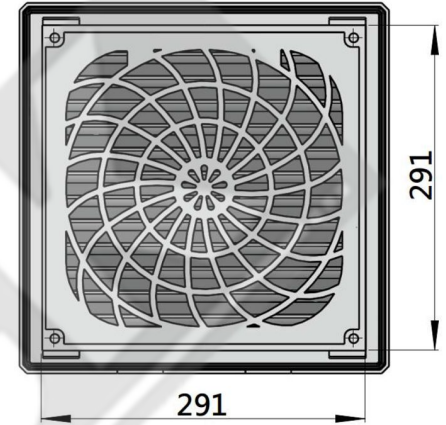
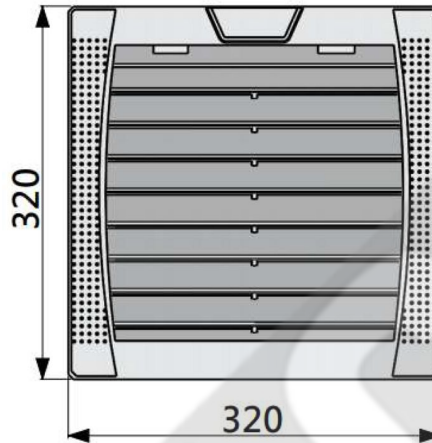
3D Rendered View



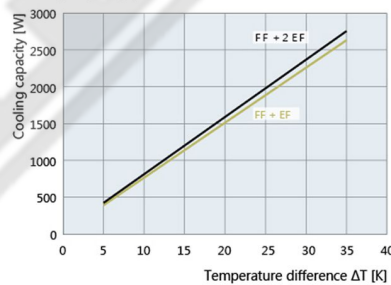
Model No : FF320

Filter Outer Size : 320 x 320

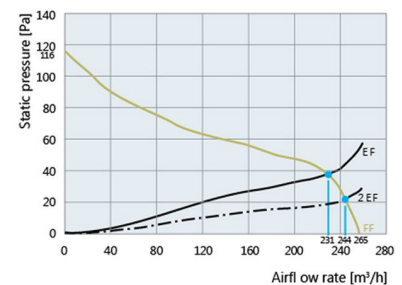
Cut out : 291 x 291



Cooling capacity performance curves



Kennlinien Statischer Druck



Data		FF 252-M		
Model	Unit	FF252-M.400	FF252-M.230	FF252-M.115
Rated voltage ±10%	V	AC 50/60		
Unimpeded air flow	m³/h	IP54-256/292 IP55-233/265		
Combined air volume	m³/h	IP54-231/265 IP55-180/207		
Power	W	42/37	37/33	40/40
Current	A	0.16/0.14	0.25/0.20	0.52/0.43
Noise level	dB(A)	42/46		
Type of connection		Terminal row		
Protection level		NEMA type 12 - standard filter		
Filtration efficiency	%	88		
Filter pad performance level		G3		
Duty cycle	%	100		
Bearing type		ball bearing		
Service life	h	40,000		
Temperature range	°C/°F	-40...+70/-40...+131		
Design		made of injection-moulded thermoplastic, self-extinguishing UL 94 VO		
Colour		RAL 7035, different colours on request		

Fan & Filters