

IP 54



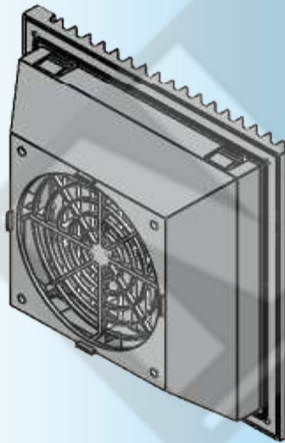
Shade
RAL 7032
on request

NEW

Photo View



3D Rendered View

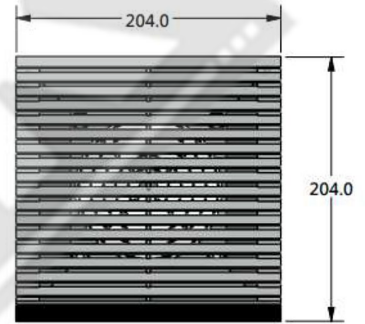
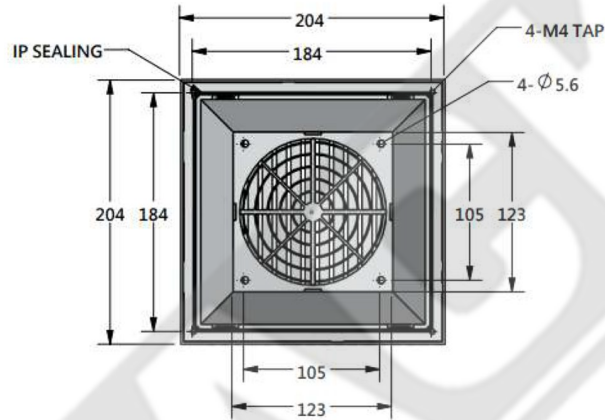


Fan & Filters

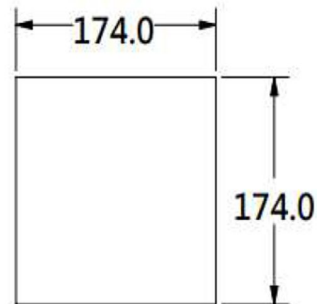
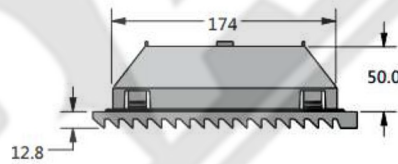
For Product Step File or 3D Model Send a Request Mail To info@nrack.com

MODEL No:- FBL 9804 D (Doom Type)

Fans can be
mounted directly to
the Airvents



SUITABLE FAN FOR FILTER



CUT OUT