

For Product Step File or 3D Model Send a Request Mail To info@nrack.com



Key Locks

Photo View

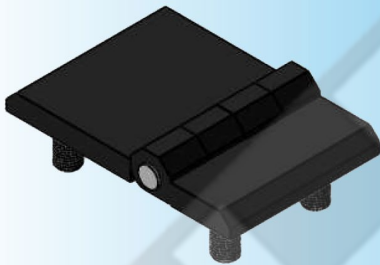


Panel Locks

Plane Locks

3Point Locks
(Round & Flat)Handle &
Knobs

3D Rendered View



Hinges

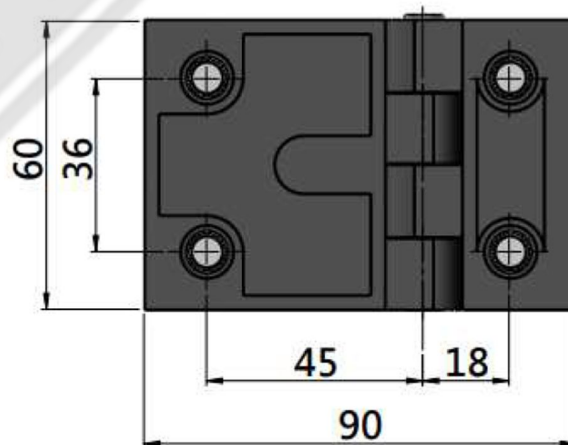
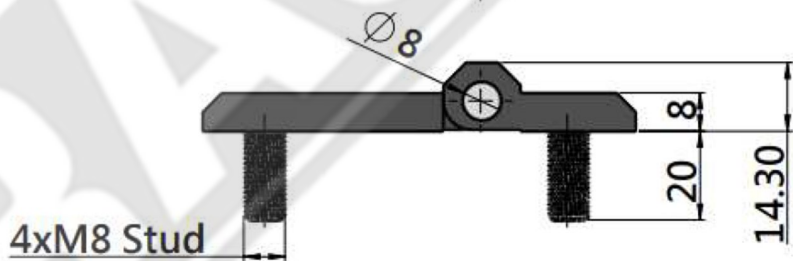
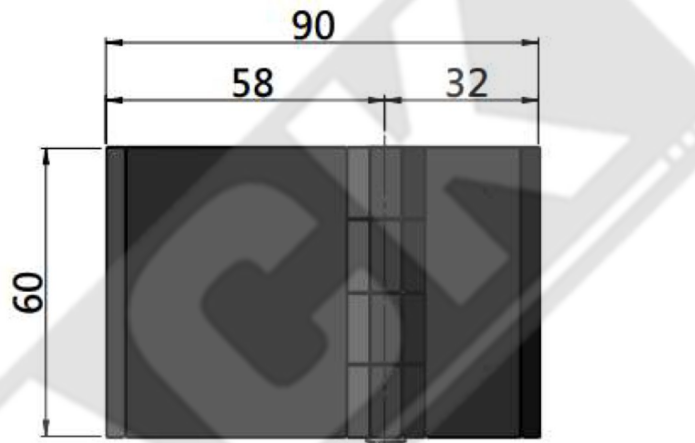
Airvents

Gasketing

Canopy Locks

Other
Accessories

Stainless Steel



NY 2101

- Material: Zinc Die Casting, Steel Pin(Nickel Plating)
- Finish: Black Powder Coating