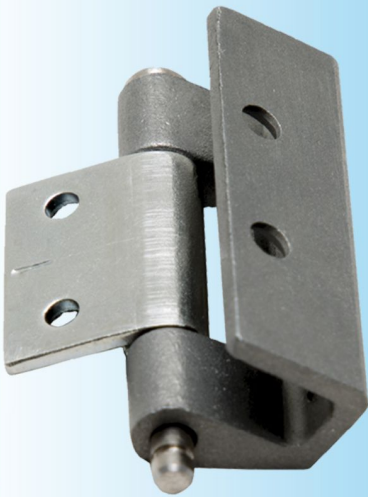
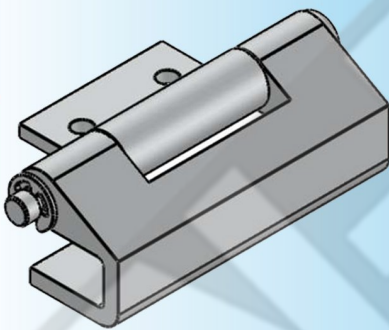


For Product Step File or 3D Model Send a Request Mail To info@nrack.com

Photo View



3D Rendered View



HN - 40

- Material: Zinc Dies Casting
- Finish: Sand Blasting

