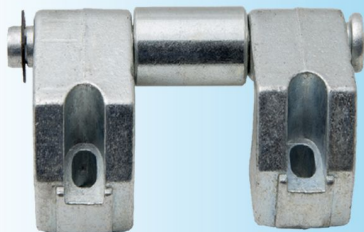
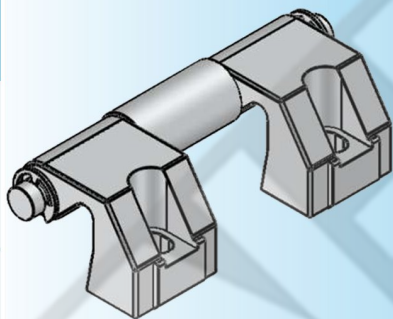


For Product Step File or 3D Model Send a Request Mail To info@nrack.com

Photo View



3D Rendered View



HN - 38

- Material: Zinc Die Casting, Steel Brackets, Steel Pin
- Finish: Chrome Plating

