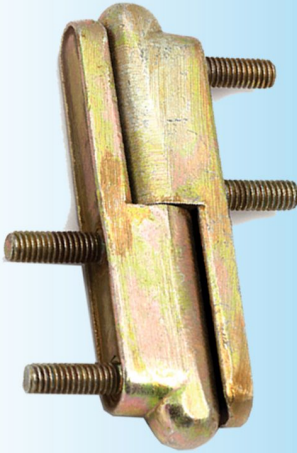
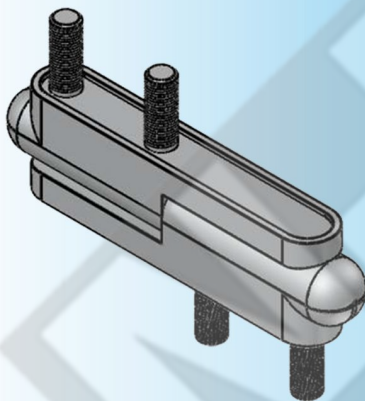


For Product Step File or 3D Model Send a Request Mail To [info@nrack.com](mailto:info@nrack.com)

Photo View



3D Rendered View



**HN - 36**

- Material: Zinc Die Casting
- Finish: Zinc Blue/ Yellow Plating

