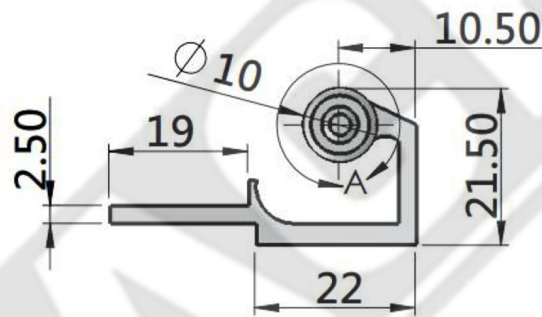


For Product Step File or 3D Model Send a Request Mail To info@nrack.com

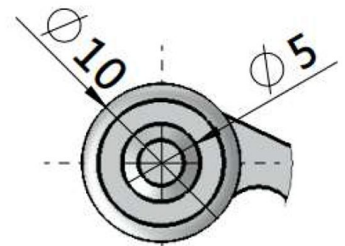
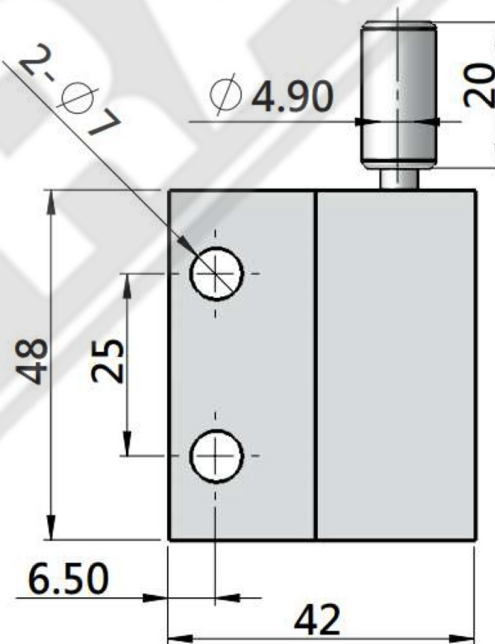
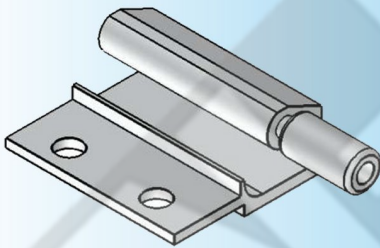
Photo View



Aluminium Profile Hinge



3D Rendered View



DETAIL A
SCALE 2 : 1

HN - 33

- Material: Aluminium
Section-Steel