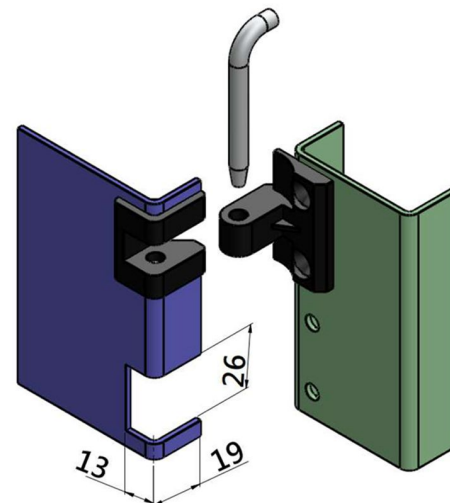
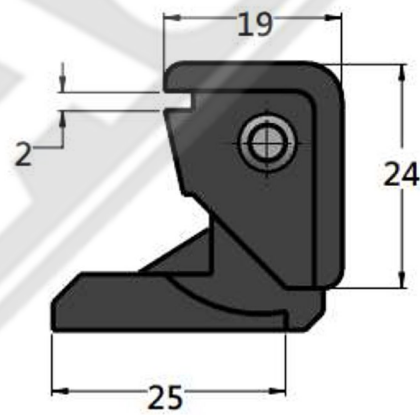
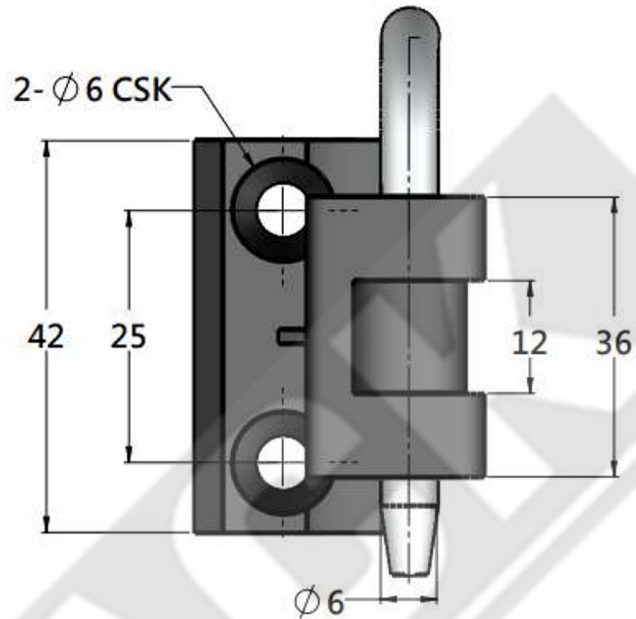
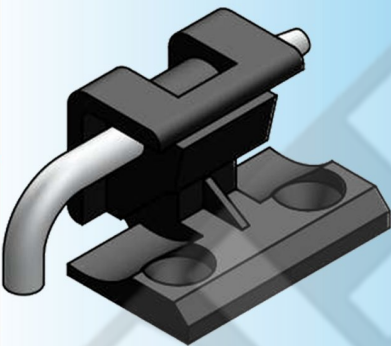


For Product Step File or 3D Model Send a Request Mail To info@nrack.com

Photo View



3D Rendered View



HN - 10

- Material: Zinc Die Casting, Steel Pin(Nickel Plating)
- Finish: Black Powder Coating