

For Product Step File or 3D Model Send a Request Mail To info@nrack.com



Key Locks

Panel Locks

Plane Locks

3Point Locks
(Round & Flat)

Handle &
Knobs

Hinges

Airvents

Gasketing

Canopy Locks

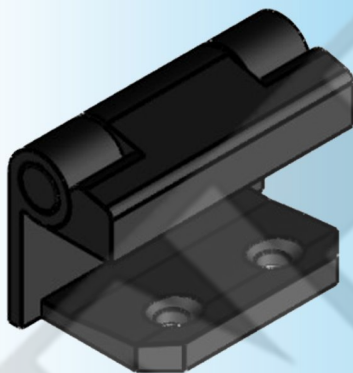
Other
Accessories

Stainless Steel

Photo View

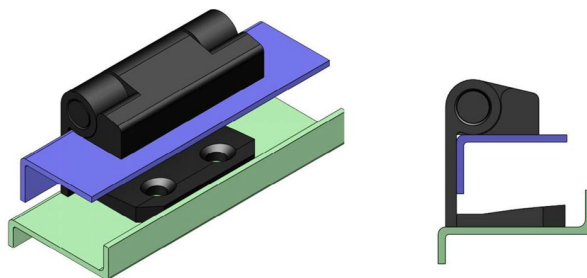
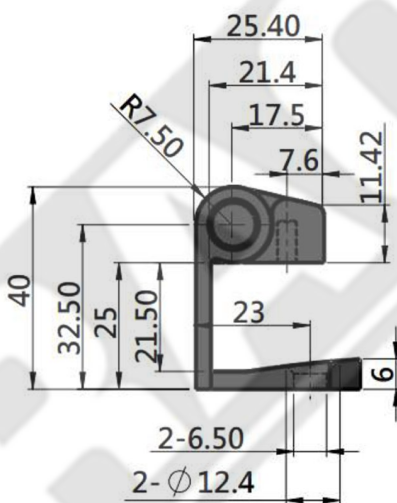
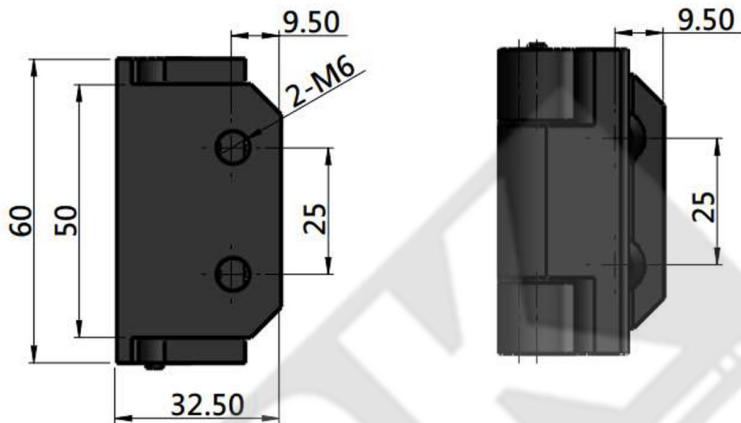


3D Rendered View



HL 073

- Material: Zinc die-casting hinge, PA-66 pin
- Finish: Matt black
- Remark: 180° hinge.



Product no.	Weight (g)	Lot
HL073	181	200