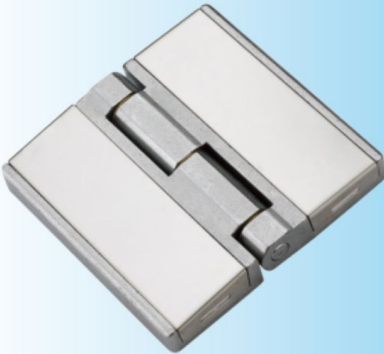
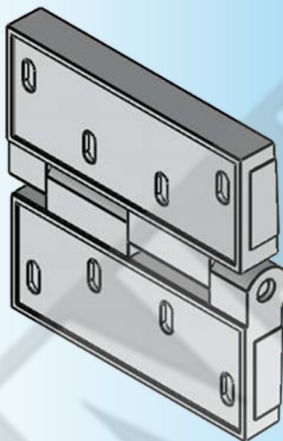




Photo View



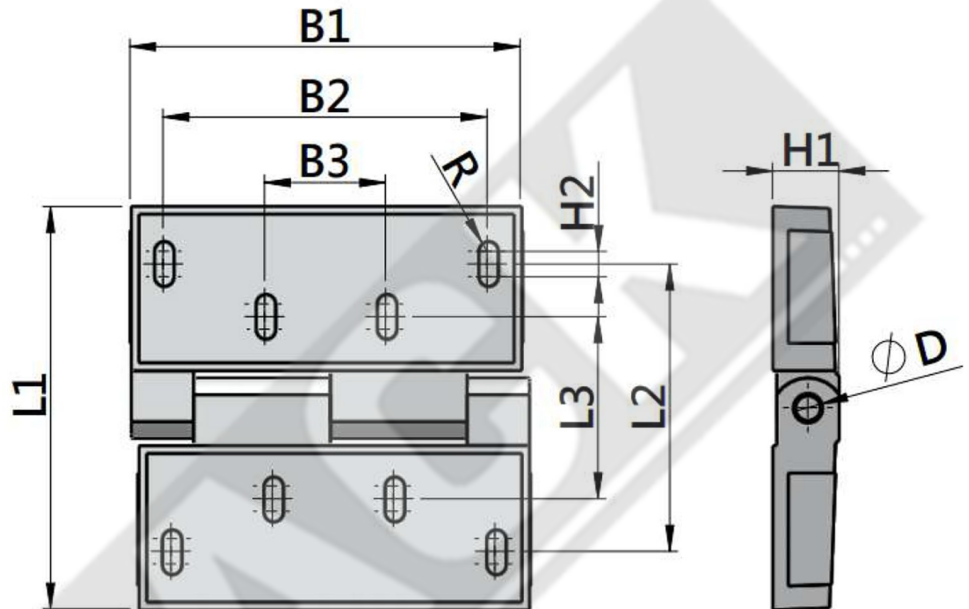
3D Rendered View



HL 058 - 1

- Material: Zinc die-casting hinge, stainless steel and nickel plating steel pin are available, Mirror surface stainless steel cover, brass washer.
- Remark: 180° hinge.

For Product Step File or 3D Model Send a Request Mail To info@nrack.com



Dimensions										Product Number	Weight (g)	Lot
L1	L2	L3	B1	B2	B3	H1	H2	R	ØD	Matt gray chrome plating		
104	75	48	100	82	30	17	4.5	2.9	18.5	HL058-1	558	60
86	62	42	80	55	25	14.5	2.8	2.6	15.5	HL058-2	321	100
63	45.4	30.4	60	40	20	11.5	1.3	2.1	12	HL058-3	146	200

