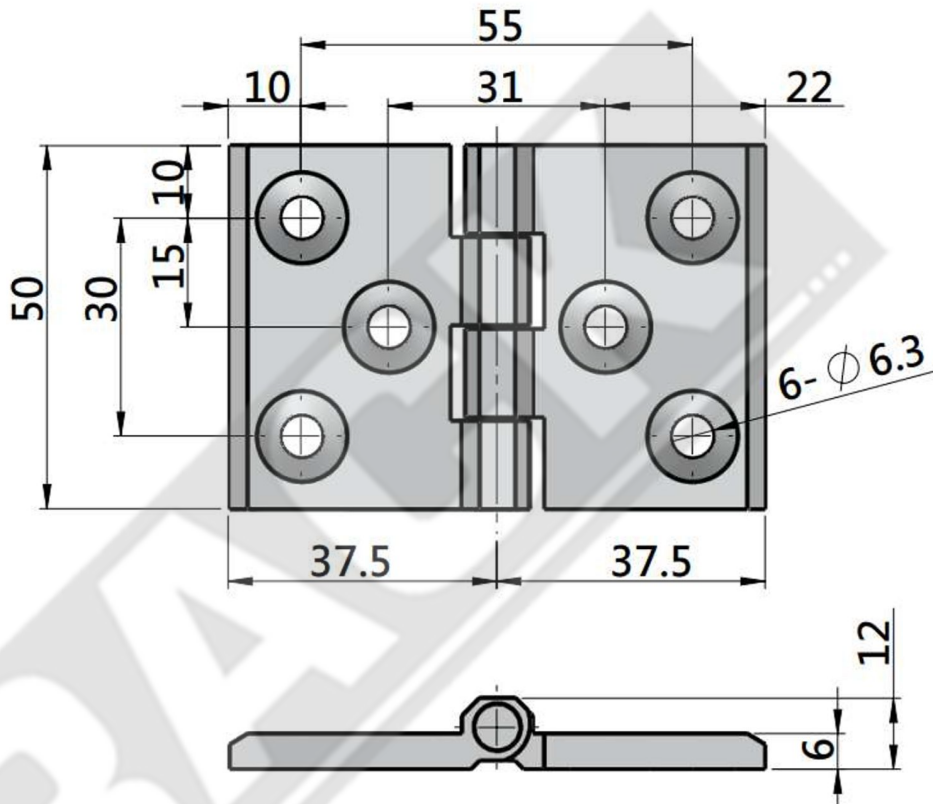


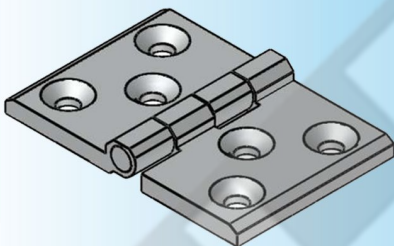
For Product Step File or 3D Model Send a Request Mail To info@nrack.com



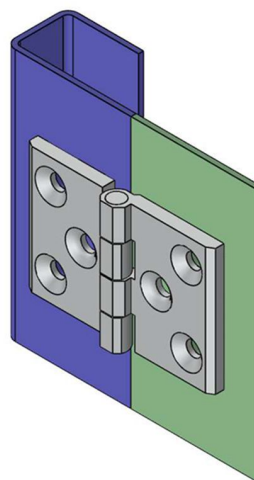
Photo View



3D Rendered View



HL 050 - 2A



Product no.	Weight (g)	Lot
HL050- 2A	112.9	200

- Material: zinc alloy hinge, A3 for the pin
- Finish: bright chrome
- Function: 180° hinge