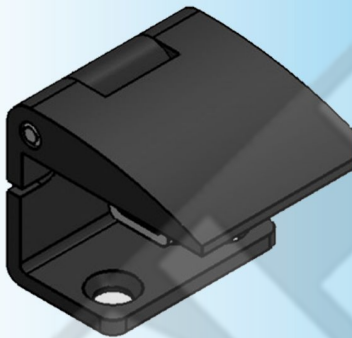




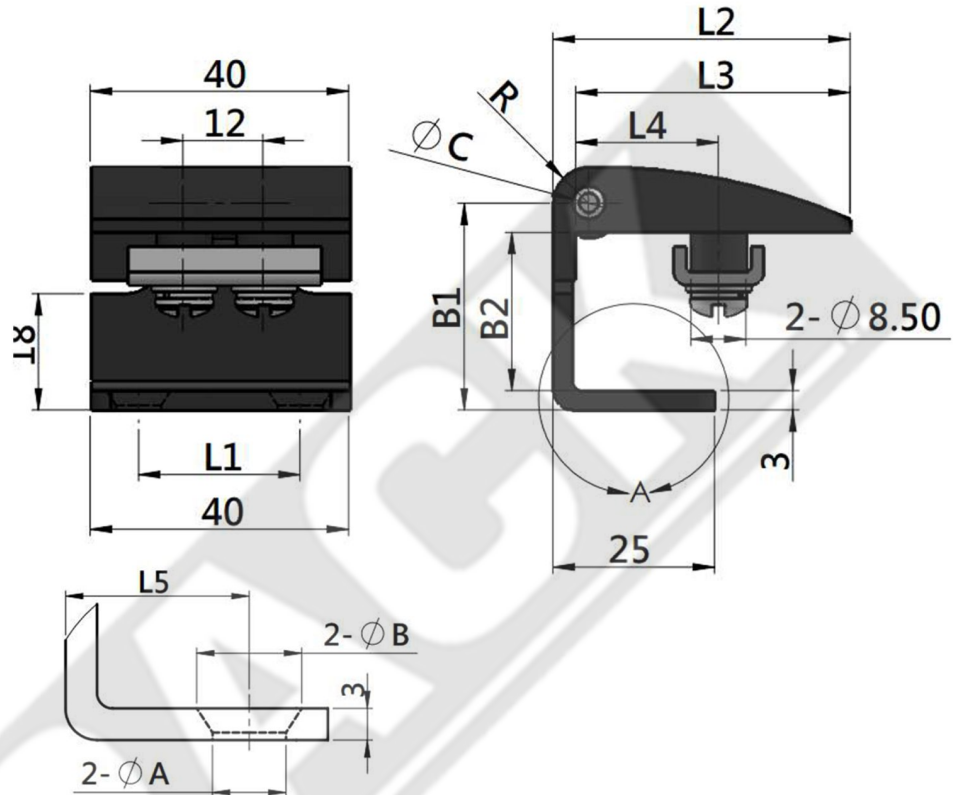
Photo View



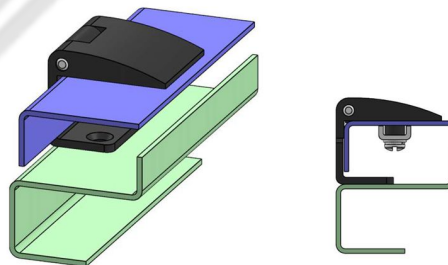
3D Rendered View



For Product Step File or 3D Model Send a Request Mail To info@nrack.com



DETAIL A
SCALE 2 : 1



HL 044 - 1

DIMENSIONS													PRODUCT NUMBER			
L1	L2	L3	L4	L5	L6	B1	B2	ØA	ØB	ØC	R	Black Powder Coated	Bluish Green	Weight (g)	Lot	
25	46	42.5	22	15.5	25	34	24.5	6	12	5	5.5	HL044-1.3	HL044-1.9	142	200	
20	46.3	43.2	22.7	18	25.5	32	22.5	7	11.5	5.1	5	HL044-1B.3	HL044-1B.9	126	200	
25	46	42.5	20.2	18	25	24.5	15	M6		5.1	5	HL044-7.3	HL044-7.9	135	200	

● Material: Zinc die-casting hinge, stainless steel and nickel plating steel pin are available.

● Remark: 180° hinge

● Finish: Black Powder Coating