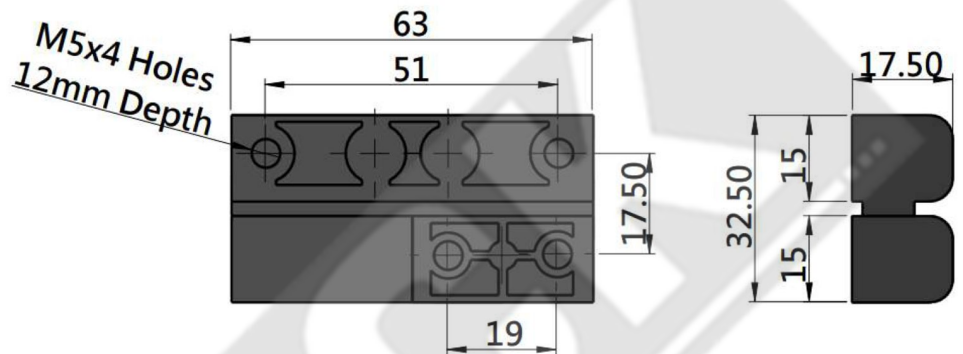




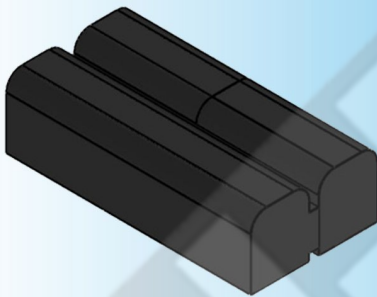
RL

For Product Step File or 3D Model Send a Request Mail To info@nrack.com

Photo View

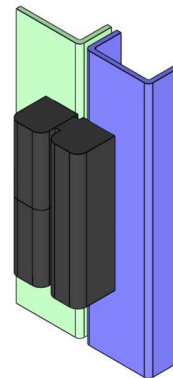


3D Rendered View



| CHARACTERISTICS | PRODUCT NO SURFACE TREATMENT | | | | |
|-----------------|------------------------------|---------------------|-------------------------|------------|-----|
| | Black Powder Coated | Gray Chrome Plating | Mattblack powder coated | Weight (g) | Lot |
| Right Hinge | HL 019R.3 | HL 019R.2 | HL 019R.1 | 136 | 200 |
| Left Hinge | HL019L.2 | HL 019R.2 | HL 019R.1 | 136 | 200 |

HL 019R



- Material: Zinc die-casting hinge
- Remark: 180° hinge
- Finish: Black Powder Coating