

For Product Step File or 3D Model Send a Request Mail To info@nrack.com

Key Locks



Photo View

Panel Locks



HL002 R

Plane Locks

3Point Locks (Round & Flat)

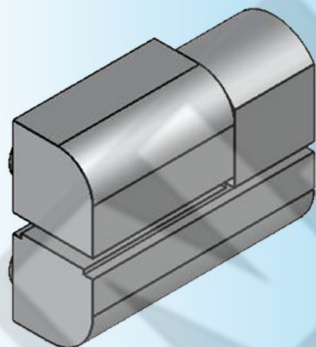


HL002 L

Handle & Knobs

Hinges

3D Rendered View



HL002 R

Airvents

Gasketing

Canopy Locks

Other Accessories

Stainless Steel

- Material: Zinc die-casting hinge.
- Finish: Black powder coated
- Remark: 180° hinge

