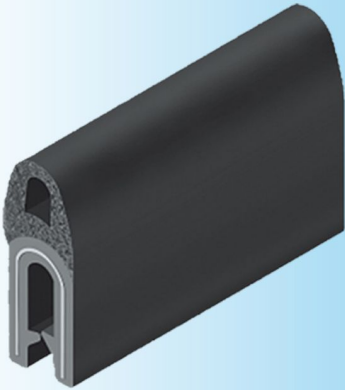
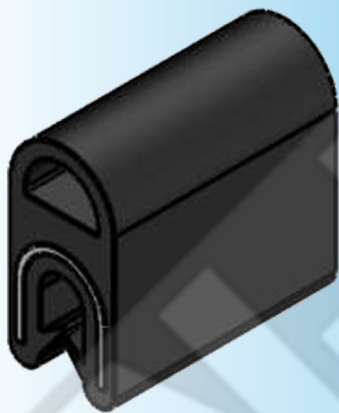


For Product Step File or 3D Model Send a Request Mail To info@nrack.com

Photo View

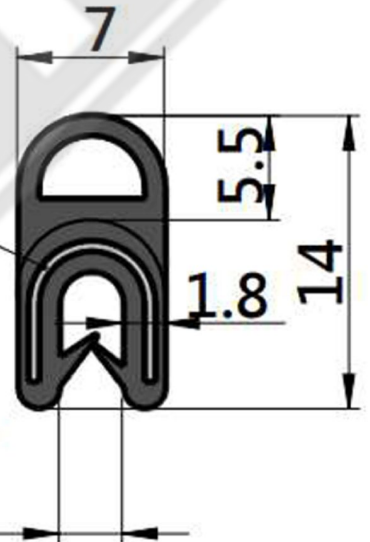


3D Rendered View



STEEL PLATE
SIZE 0.5MM

SHEET THICKNESS
(1.5-3)MM



MFT - 010

- Material: Black EPDM Sealing Strip