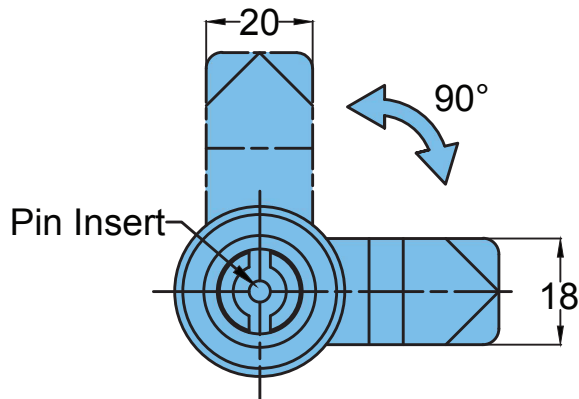


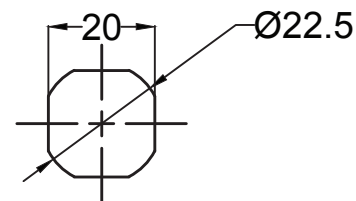
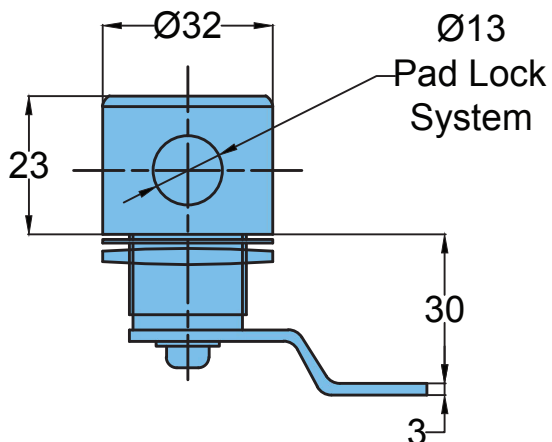
PL-27



Quarter Turn Pad Lockable Locks



Material Zinc Die Casting Housing Body, MS-Zinc Plating Cam.
Bright Chrome / Black Powder Coated finish



CUT OUT