

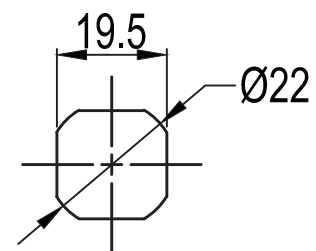
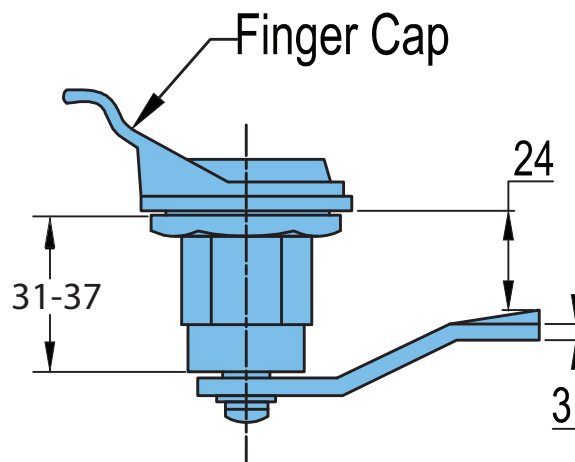
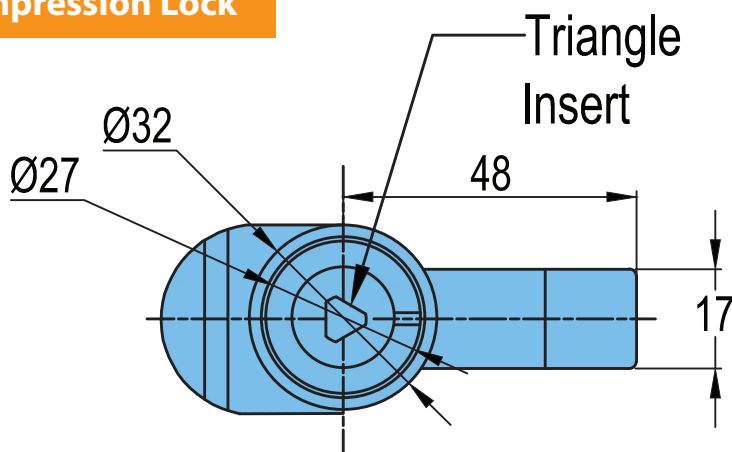
PL-26



Material Zinc Die Casting-Body, Steel-Cam,
Finger Cap- Nylon GF-30

Finish Chrome Plating

Compression Lock



CUT OUT