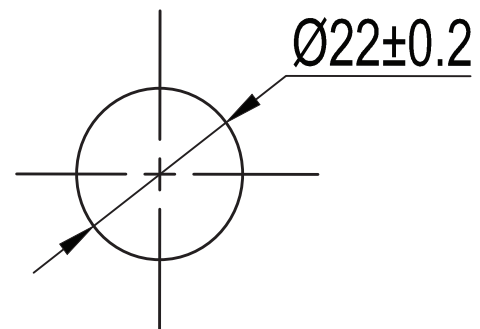
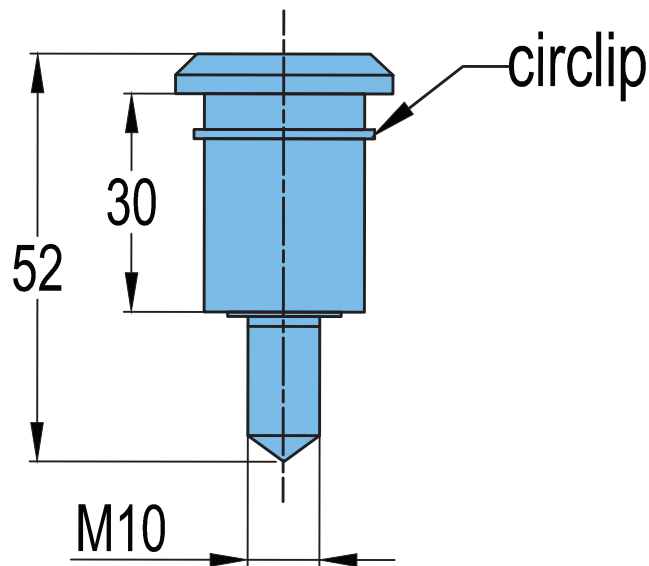
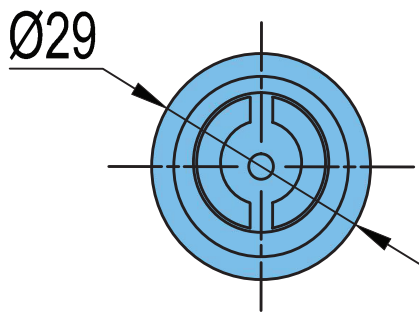


PL-25



Material Zinc Die Casting

Finish Chrome Plating



CUT OUT