

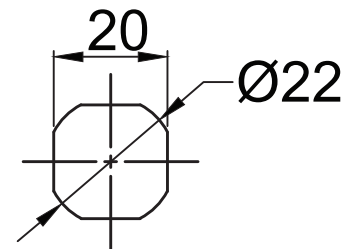
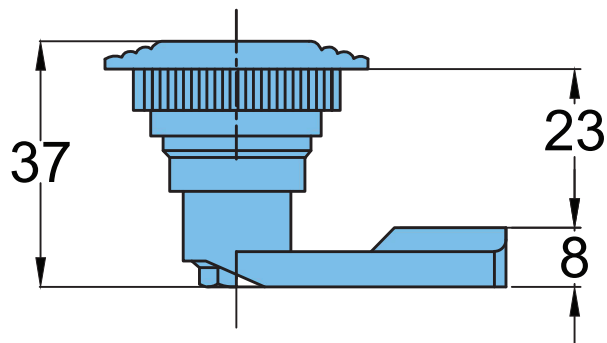
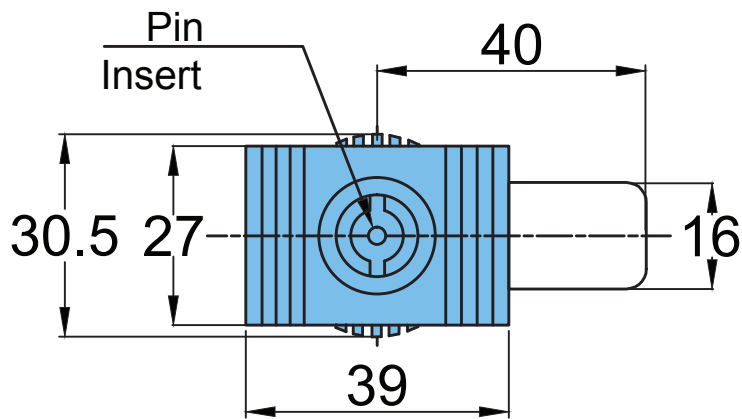
Panel Locks

Quarter Turn Locks

PL-24



Material ABS-Body,
Insert- Zinc Die Casting



CUT OUT