

Panel Locks

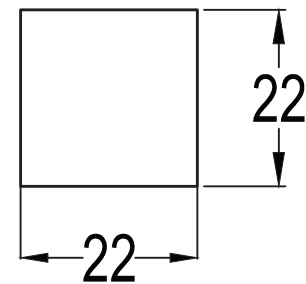
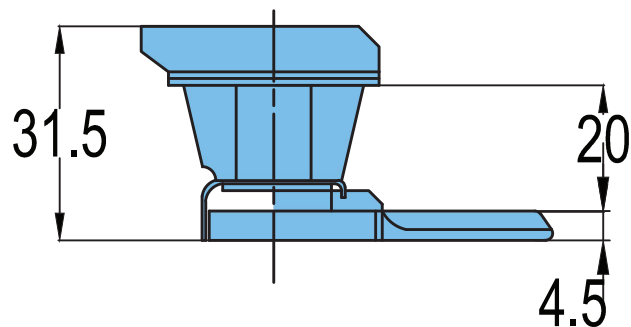
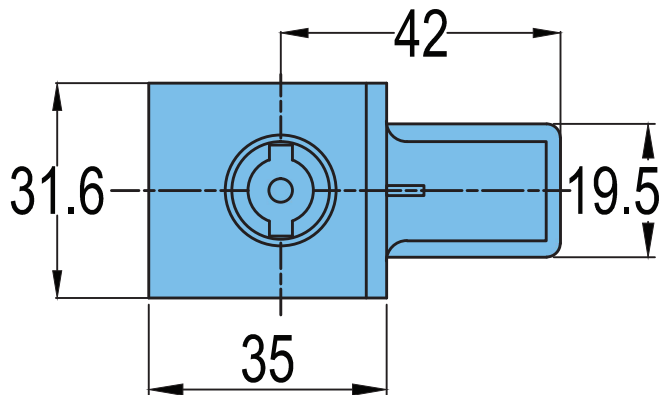
Quarter Turn Locks

PL-22



Material Zinc Die Casting-Body, Cam.

Finish Powder Coating.



CUT OUT