

Panel Locks

Quarter Turn Locks

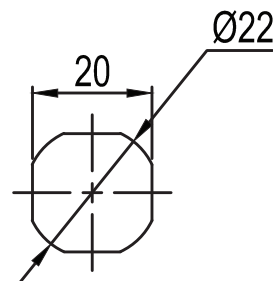
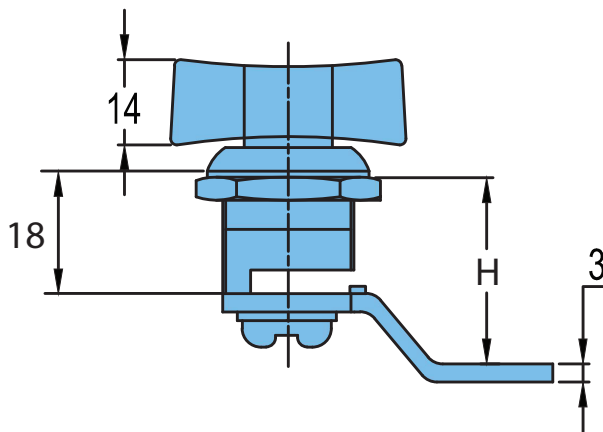
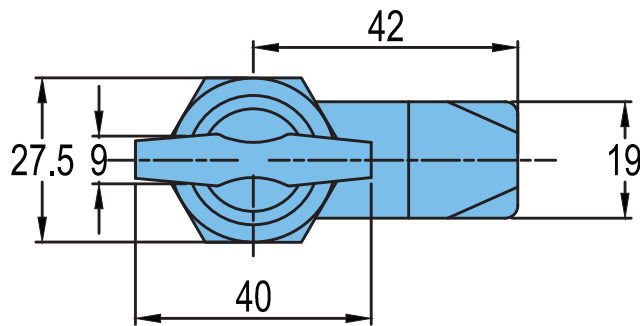
N-RACK
ACCESSORIES PVT. LTD.

PL-15



Material Zinc Die Casting - Body, Steel - Cam.

Finish Chrome Plating/Black Powder Coating



CUT OUT

| H |
|----|
| 20 |
| 25 |
| 30 |
| 35 |
| 40 |
| 45 |
| 50 |