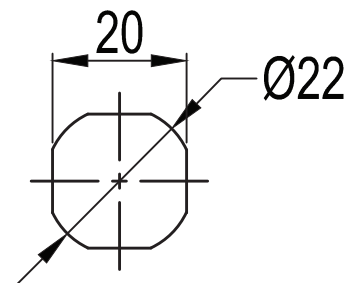
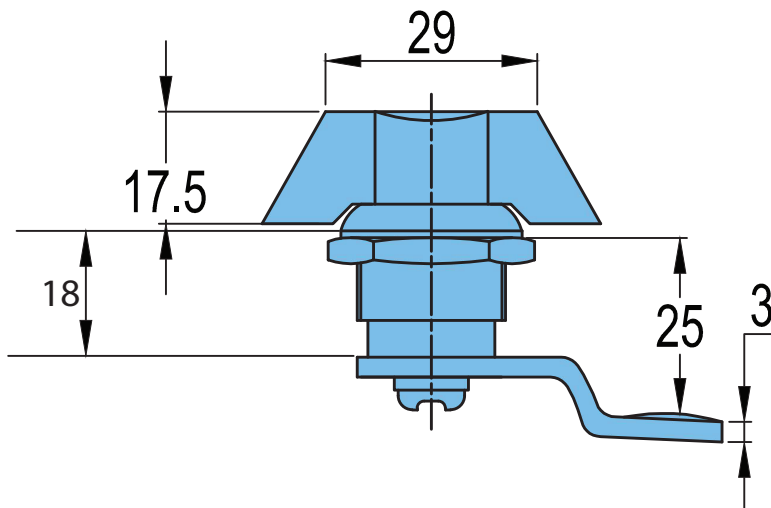
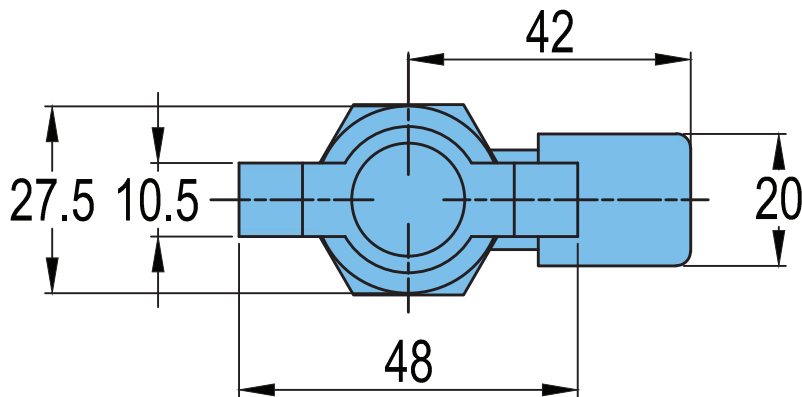


**PL-14**



**Material** Zinc Die Casting Body, Polyamide-Knob, Steel-Cam.

**Finish** Polyamide-Knob, Chrome Plating-Housing



**CUT OUT**