

Panel Locks

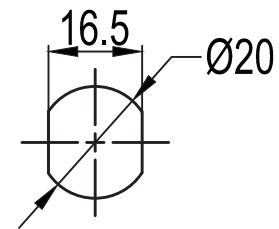
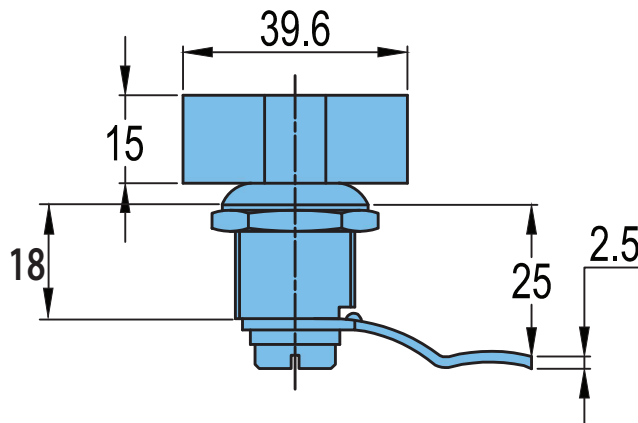
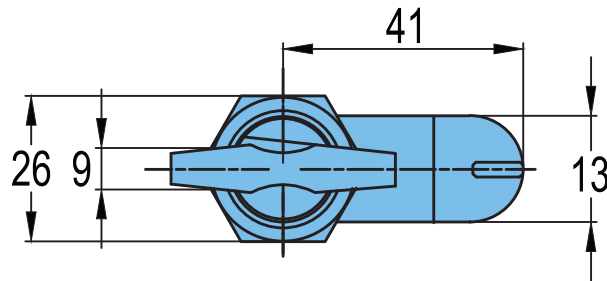
Quarter Turn Locks

PL-13



Material Zinc Die Casting- Body , Steel Cam.

Finish Black Powder Coated-Knob,
Housing-Chrome



CUT OUT