

Panel Locks

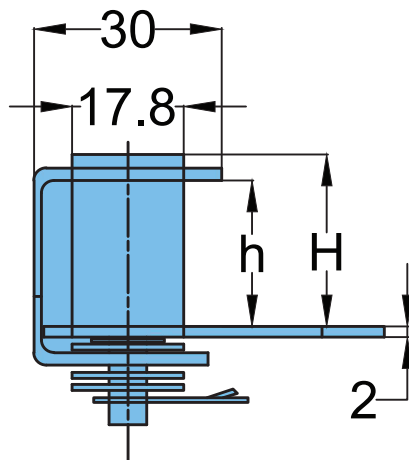
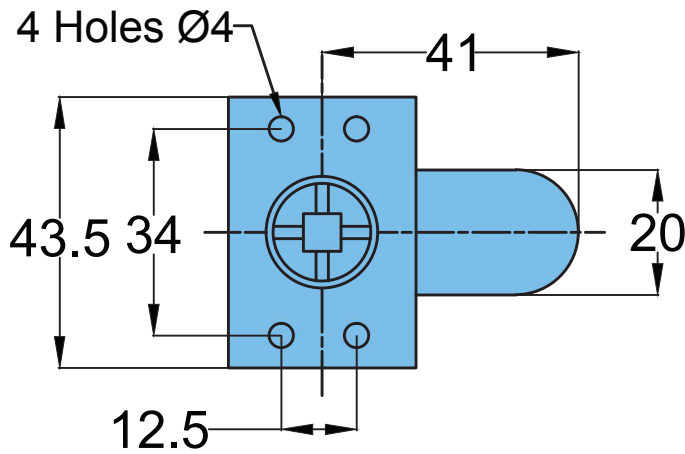
Quarter Turn Locks

PL-12



Material Steel - Body, Steel - Cam.

Finish Zinc Yellow Plating



h	H
15	20
20	25
25	30
30	35