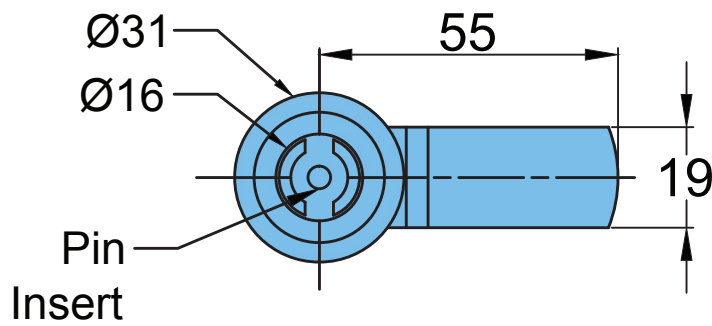


PL-11

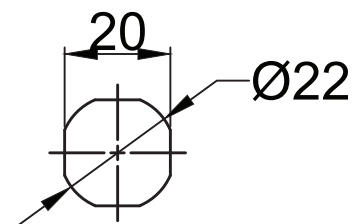
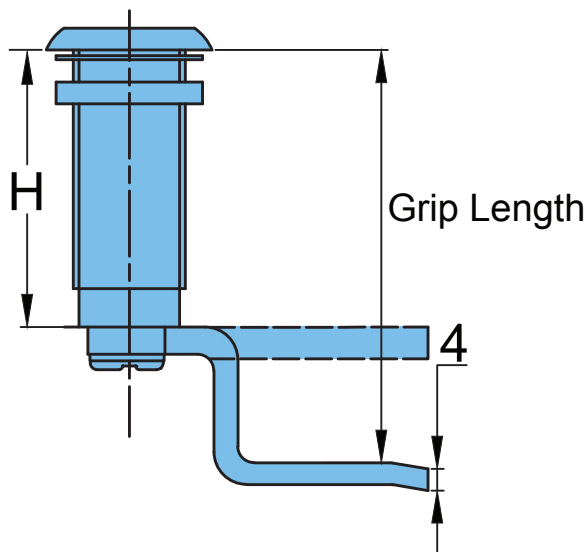


Material Zinc Die Casting Body, Steel-Cam.

Finish Chrome Plating



H
30
40
50



CUT OUT