

# Panel Locks

Quarter Turn Locks

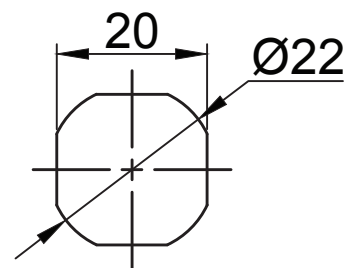
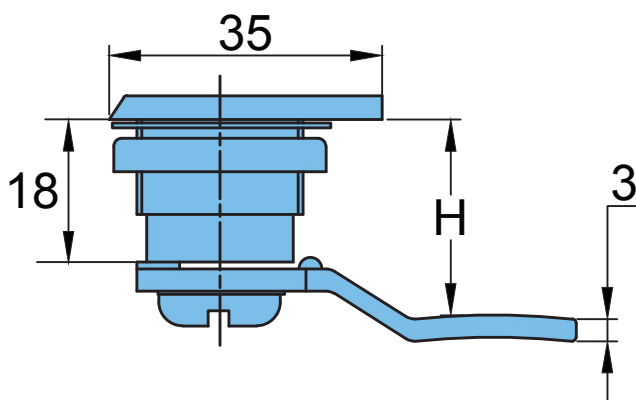
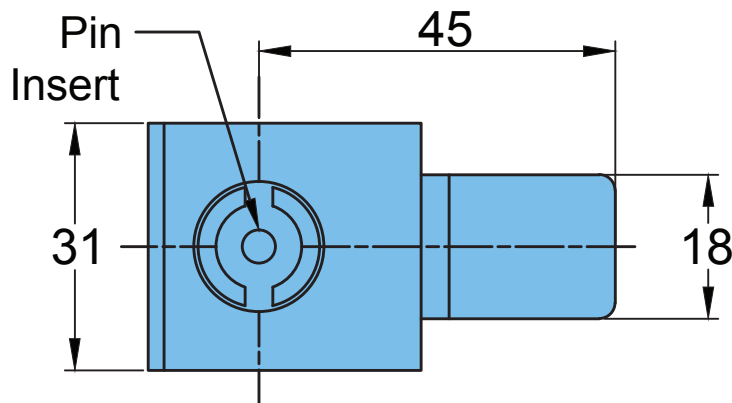
**N-RACK**  
ACCESSORIES PVT. LTD.

**PL-09**



**Material** Zinc Die Casting- Body , Steel Cam.

**Finish** Chrome Plating



H
20
25
30
35
40
45
50

**CUT OUT**