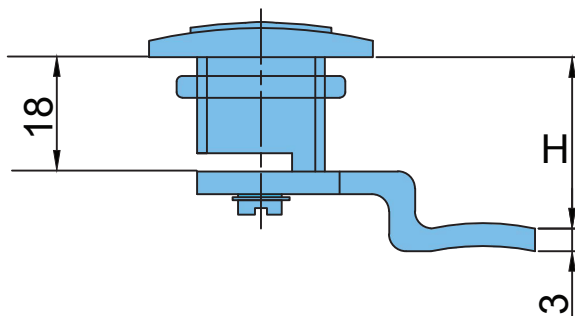
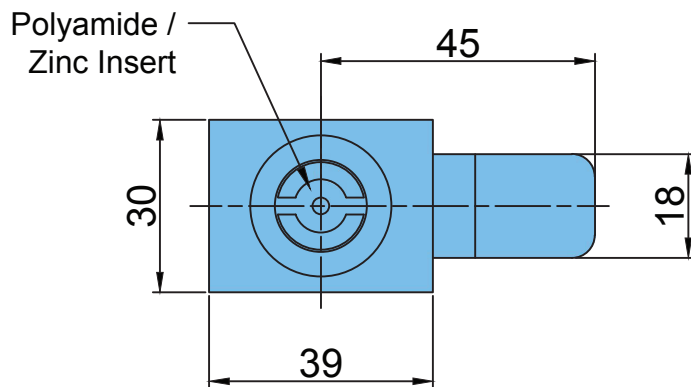


PL-09 AB

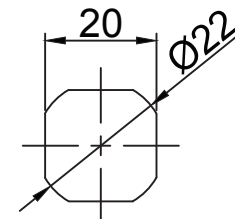


Material PA 6, Steel-Cam, Zinc Die Casting or Polyamide-Insert

Finish Zinc Blue Plating-Cam



H
25
30
35



CUT OUT