

Panel Locks

Quarter Turn Locks

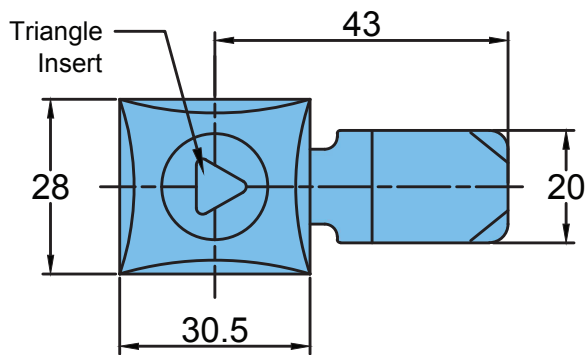
N-RACK
ACCESSORIES PVT. LTD.

PL-09-1-1

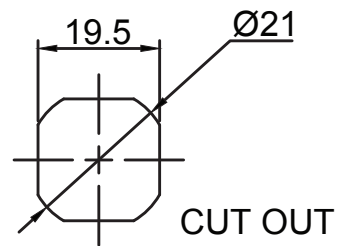
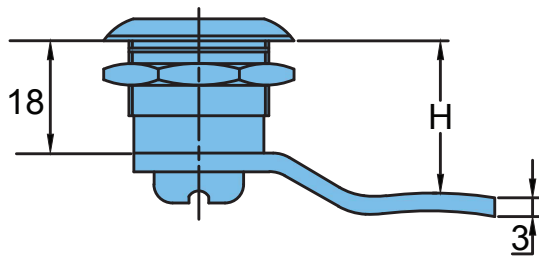


Material Zinc Die Casting-Body, Steel-Cam

Finish Chrome Plating



H
20
25
30
35



Available Inserts

