

# Panel Locks

Quarter Turn Locks

**PL-07 & 08**

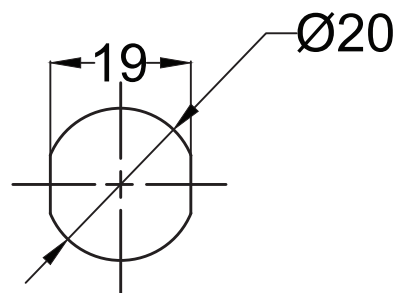
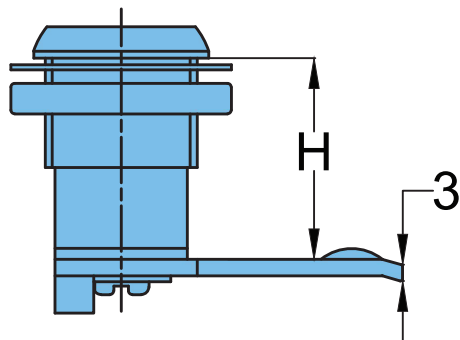
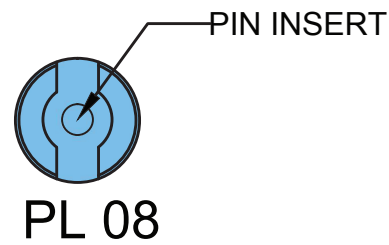
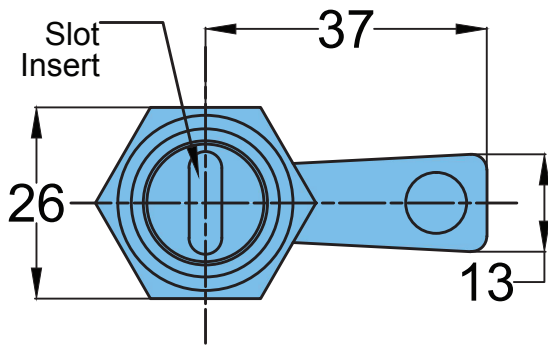
**PL 07**



**PL 08**

*Material* Zinc Die Casting - Body, Steel - Cam.

*Finish* Chrome Plating



**CUT OUT**

H
20
25
30
35
40
45
50