

# Panel Locks

Quarter Turn Locks

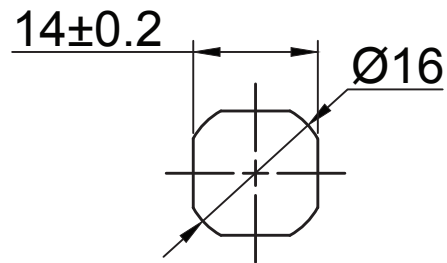
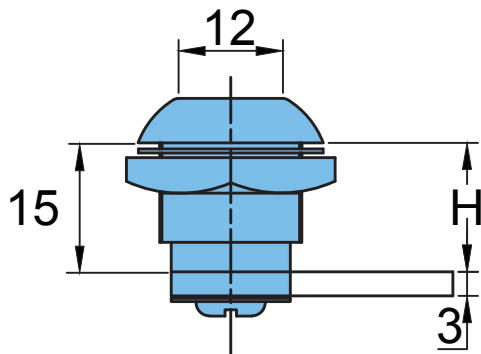
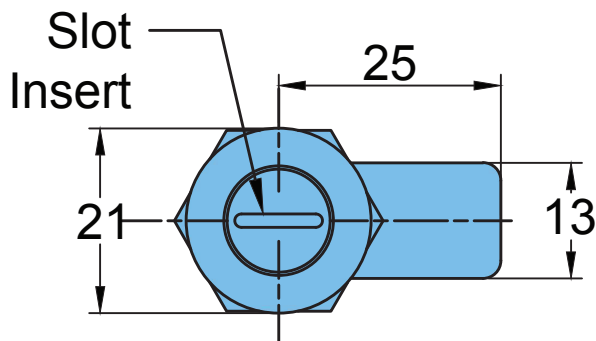
**N-RACK**  
ACCESSORIES PVT. LTD.

## PL-01



**Material** Zinc Die Casting - Body, Steel - Cam.

**Finish** Chrome Plating



CUT OUT

H
20
25
30
35
40
45
50