

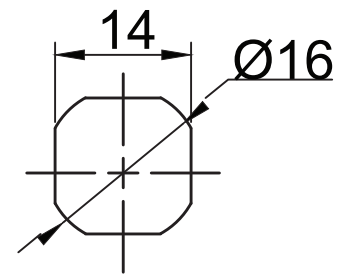
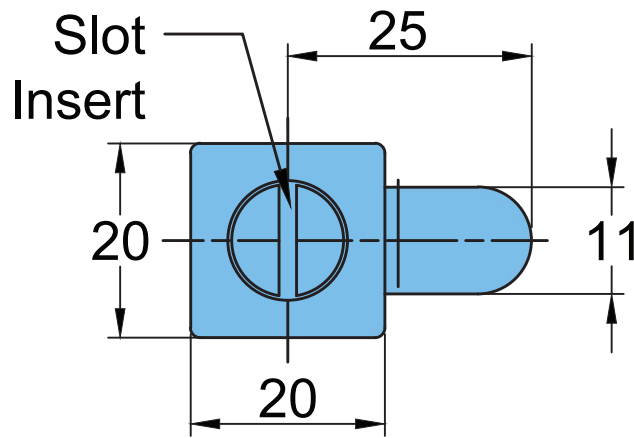
# Panel Locks

Quarter Turn Locks

## PL-01 A



*Material* Polyamide - Body , Steel Cam.



**CUT OUT**

