

# Panel Locks

## Quarter Turn Locks

**N-RACK**  
ACCESSORIES PVT. LTD.

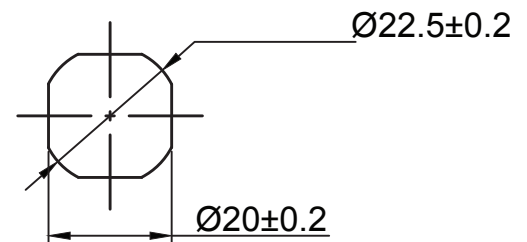
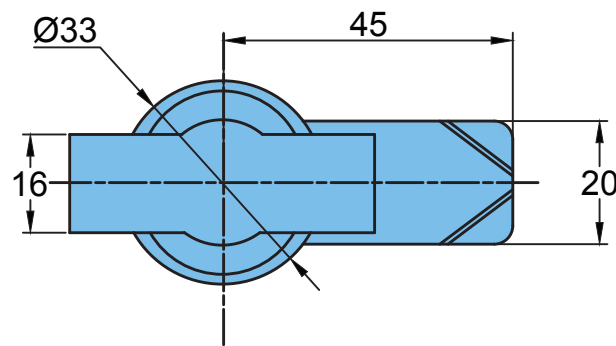
**NY 1406**



**Material** Zinc Die Casting Housing Body,MS-Zinc Plating Cam.  
Bright Chrome / Black Powder Coated finish

**IP65**

Quarter Turn Pad Lockable Locks



**CUT OUT**

