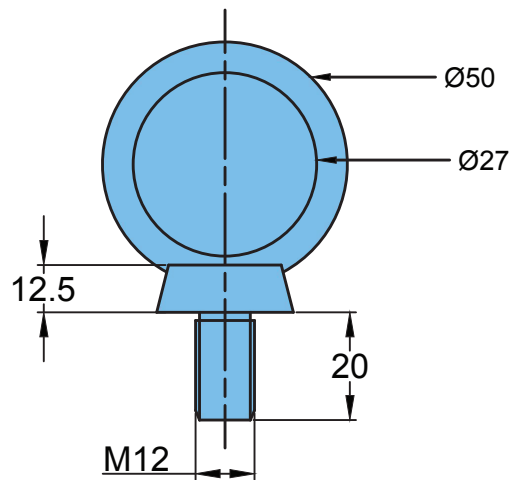


OA-42-A



Material Steel Forged, Stainless Steel on request

Finish Zinc Yellow / Blue Plating



Available
On Request

M10
M12
M16
M20
M22

