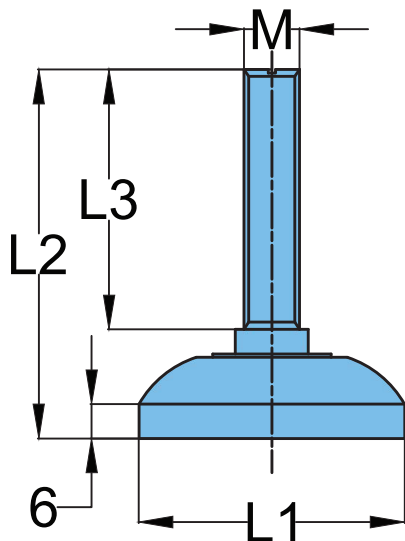
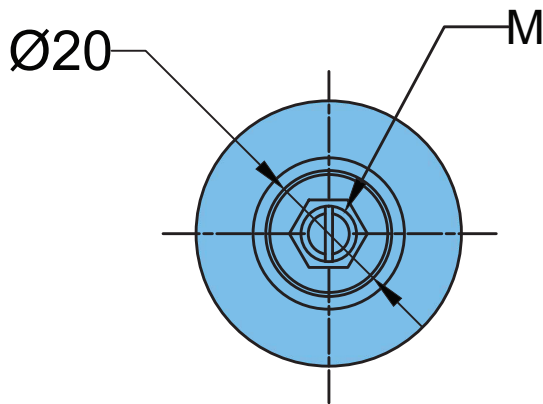


## OA-13 AB



**Material** Nylon 6 Unfilled Black-Base,  
Steel-Bolt

**Finish** Zinc Yellow Plating



M	L1	L2	L3
10	46.5	65	45
12	46.5	75	57