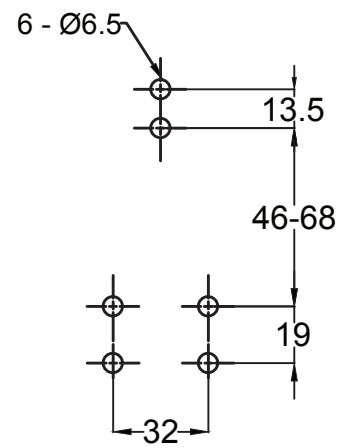
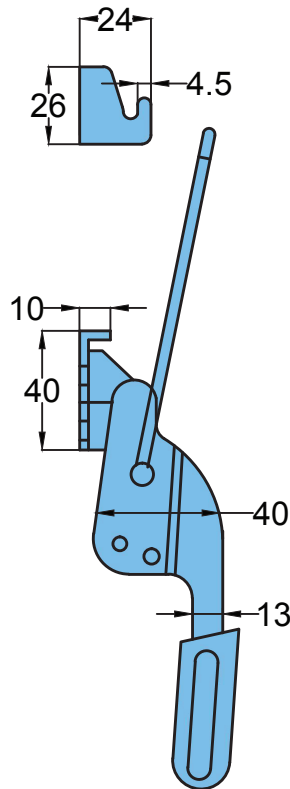
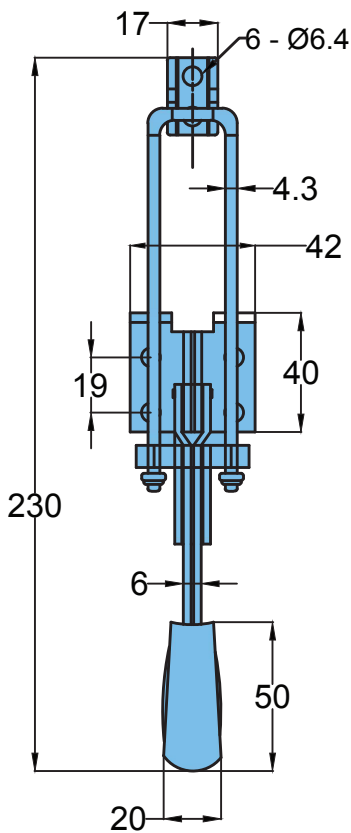


## DK 102



**Material** Steel

**Finish** Zinc Die Casting



CUT OUT