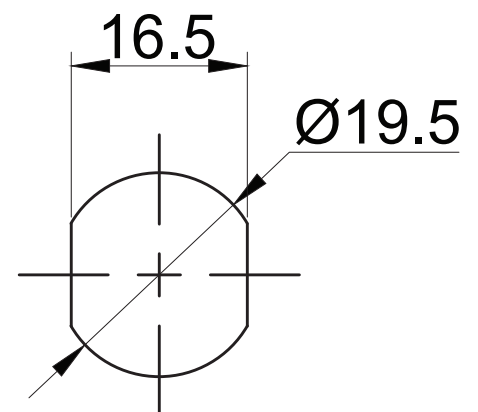
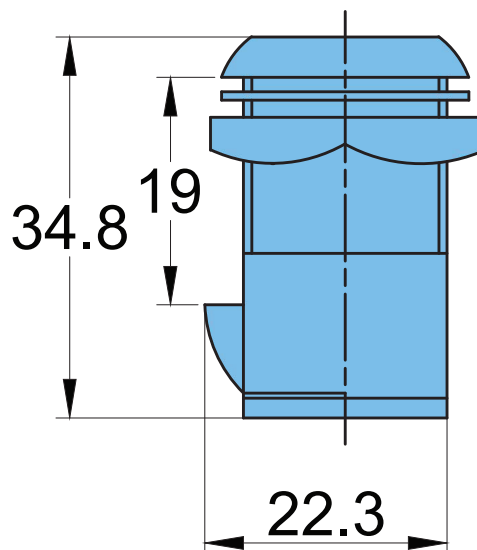
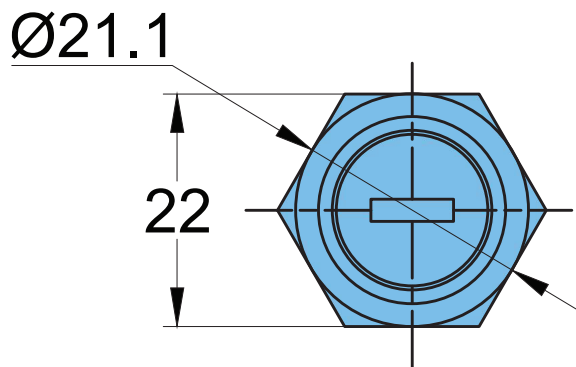


MS-826



Material Zinc Die Casting - Body, PA Cam, Steel - Key.

Finish Chrome Plating, Black Powder Coating.



CUT OUT