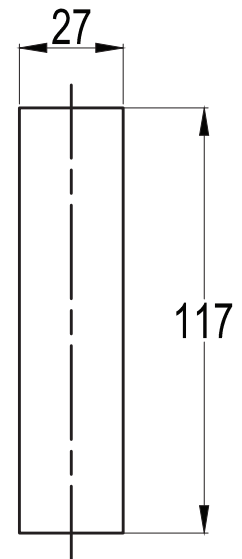
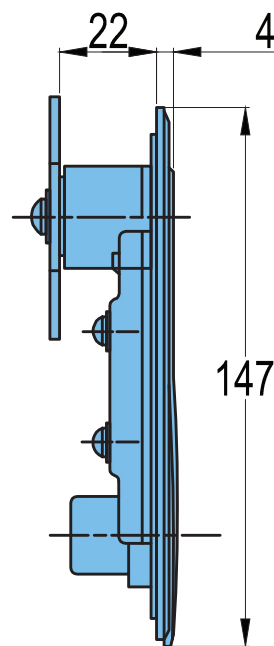
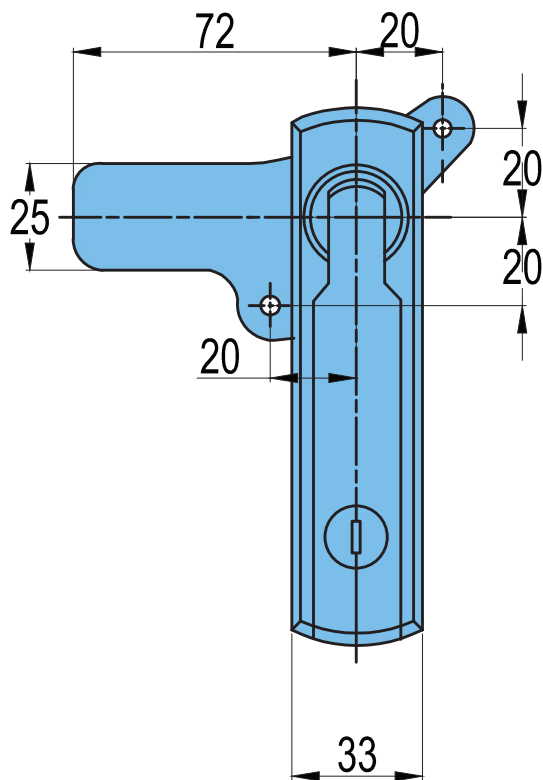


MS-751-1-1



Material Zinc Die Casting Body,
Steel-Cam.

Finish Chrome Plating.



CUT OUT