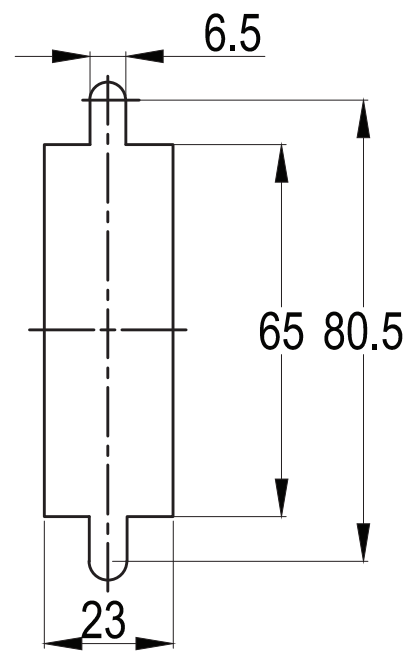
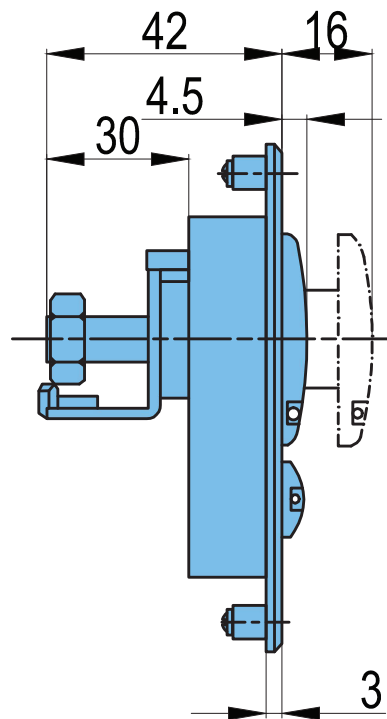
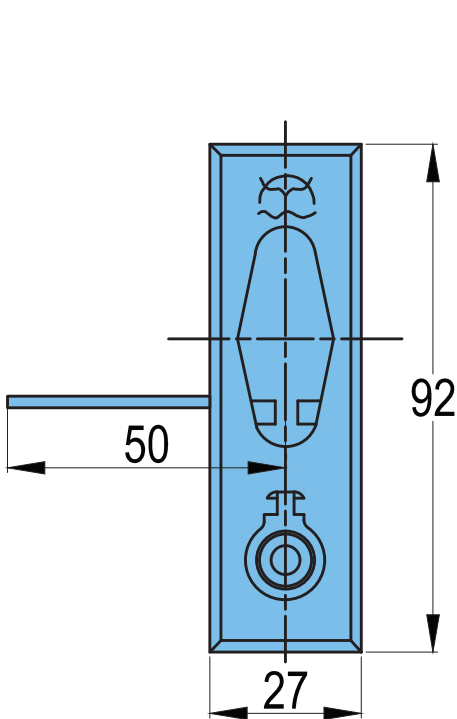


MS-505-1-2



Material Zinc Die Casting-Body,
Zink Plating-Cam,
Steel - Key with Plastic Moulding.
Finish Chrome Plating.



CUT OUT