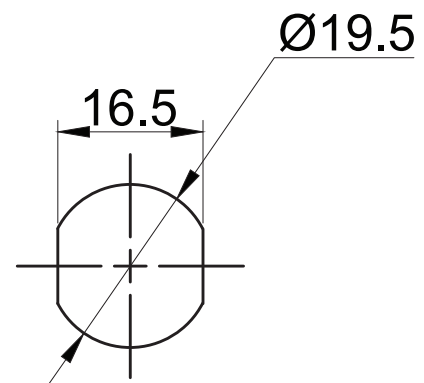
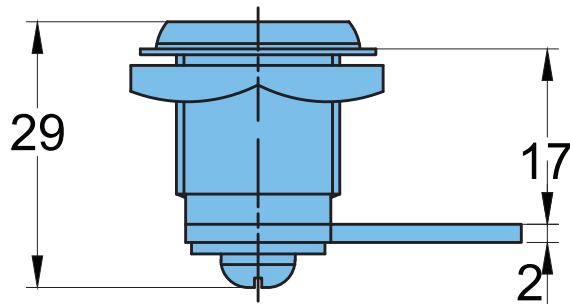
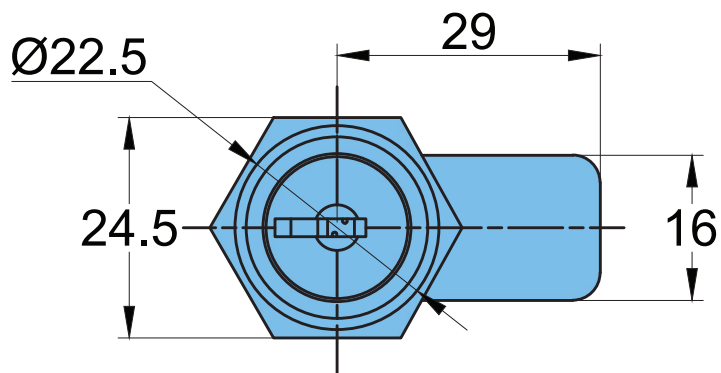


MS-415



Material Zinc Die Casting - Body, Steel - Cam, Steel- Key.

Finish Chrome Plating.



CUT OUT