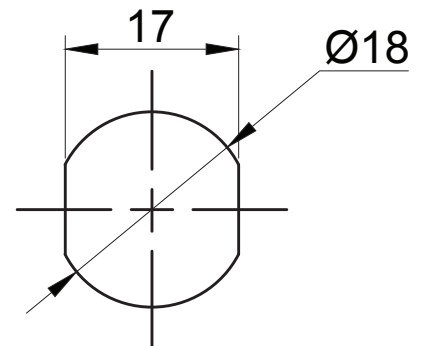
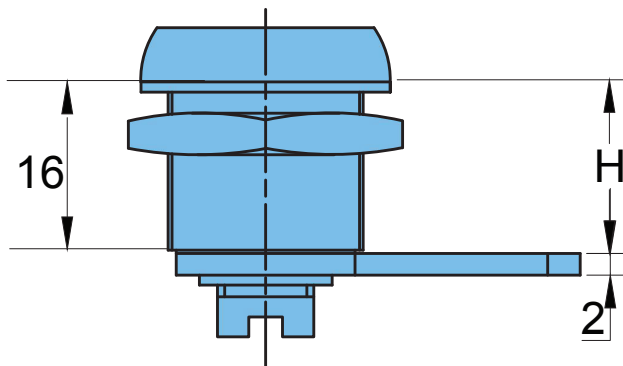
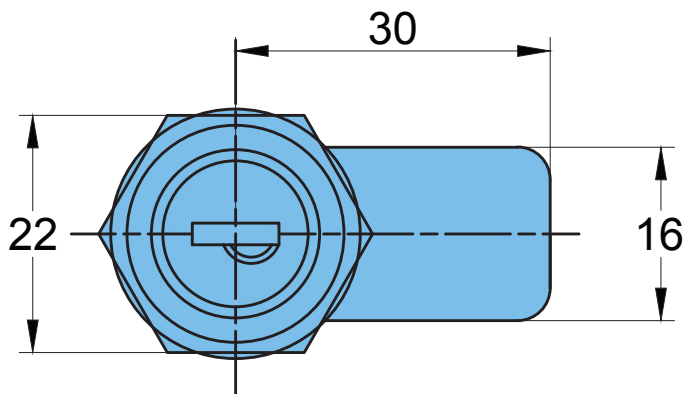


MS-403-2



Material Zinc Die Casting Body, Steel-Cam, Steel with Plastic Moulded-Key, Stainless Steel Ket Shutter.
Finish Chrome Plating



CUT OUT