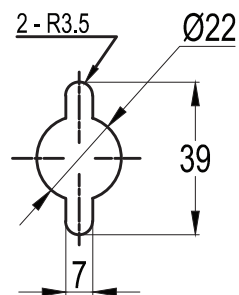
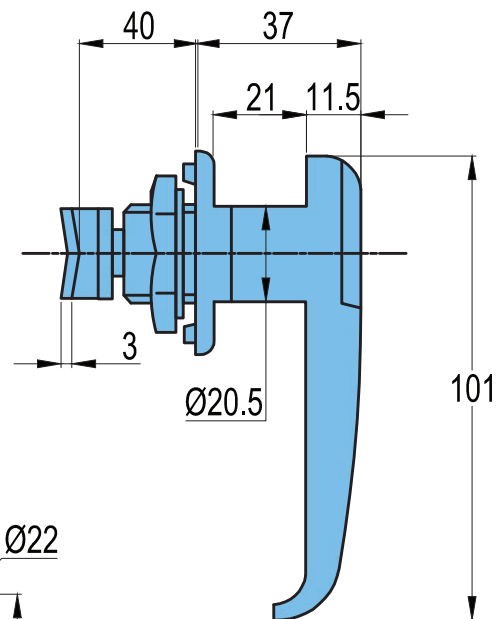
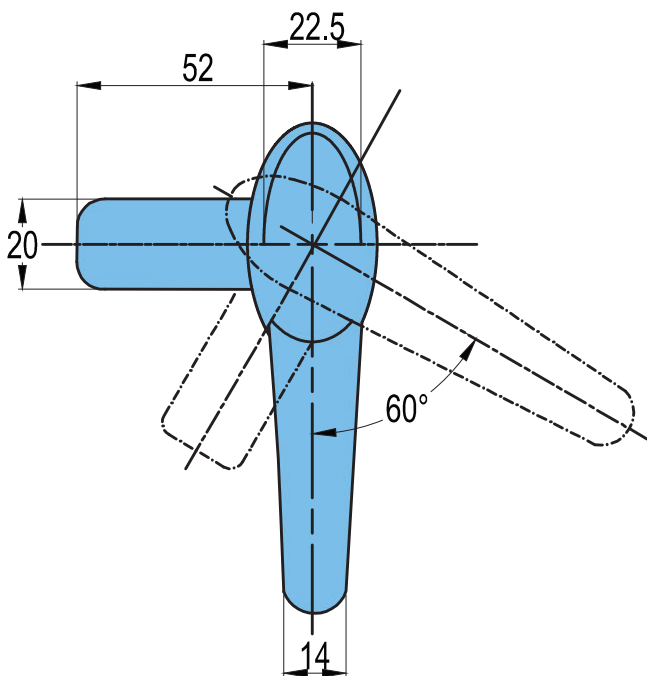


MS-308-1-1



IP65

Material Zinc Die Casting-Body, Steel Cam
Steel - Key with Plastic Moulding.
Finish Chrome Plating.



CUT OUT