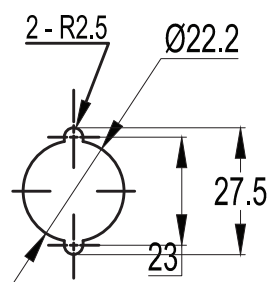
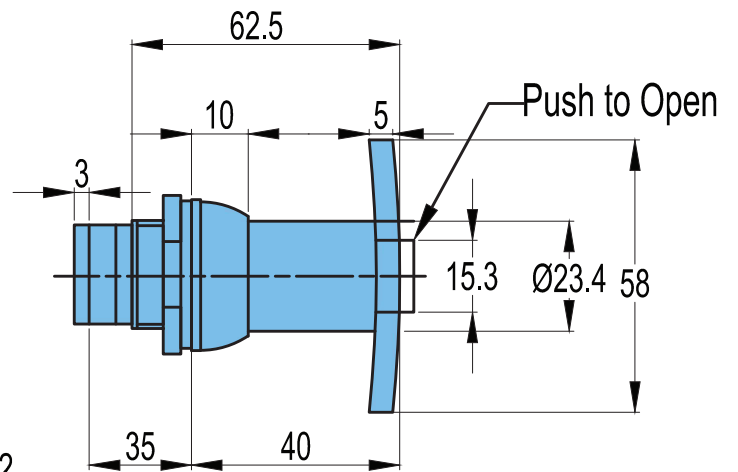
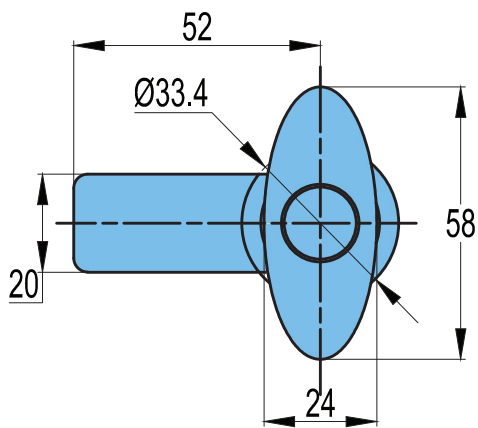


MS-302-2



Material Zinc Die Casting - Body, Steel- Cam.

Finish Chrome Plating / Black Powder Coating.



CUT OUT