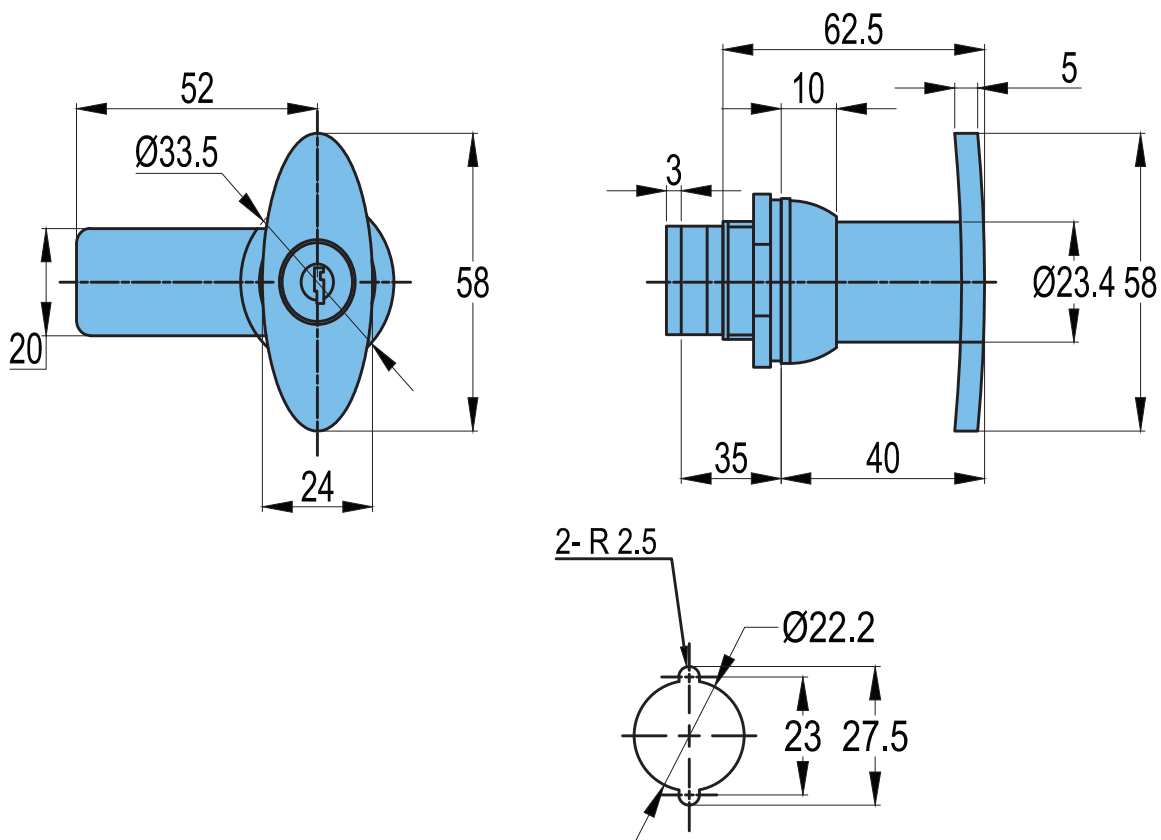


MS-302-1



Material Zinc Die Casting - Body, Zink Plating - Cam, Steel- Key with Plastic Moulded.

Finish Chrome Plating.



CUT OUT