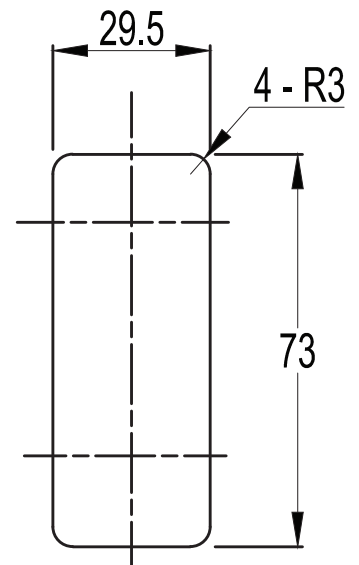
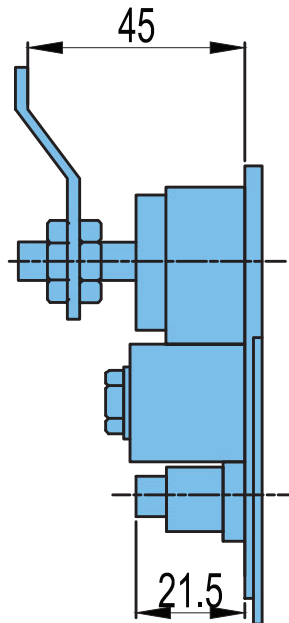
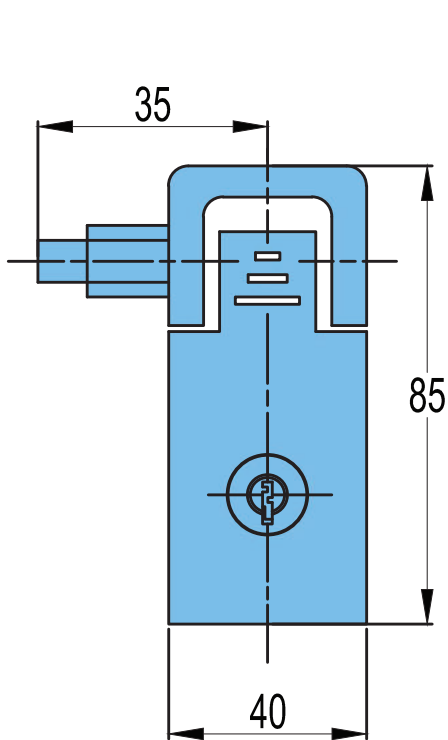


**MS-106-1-1**



**Material** Zinc Die Casting Body,  
Zinc Plating - Cam.

**Finish** Black Powder Coating



**CUT OUT**