

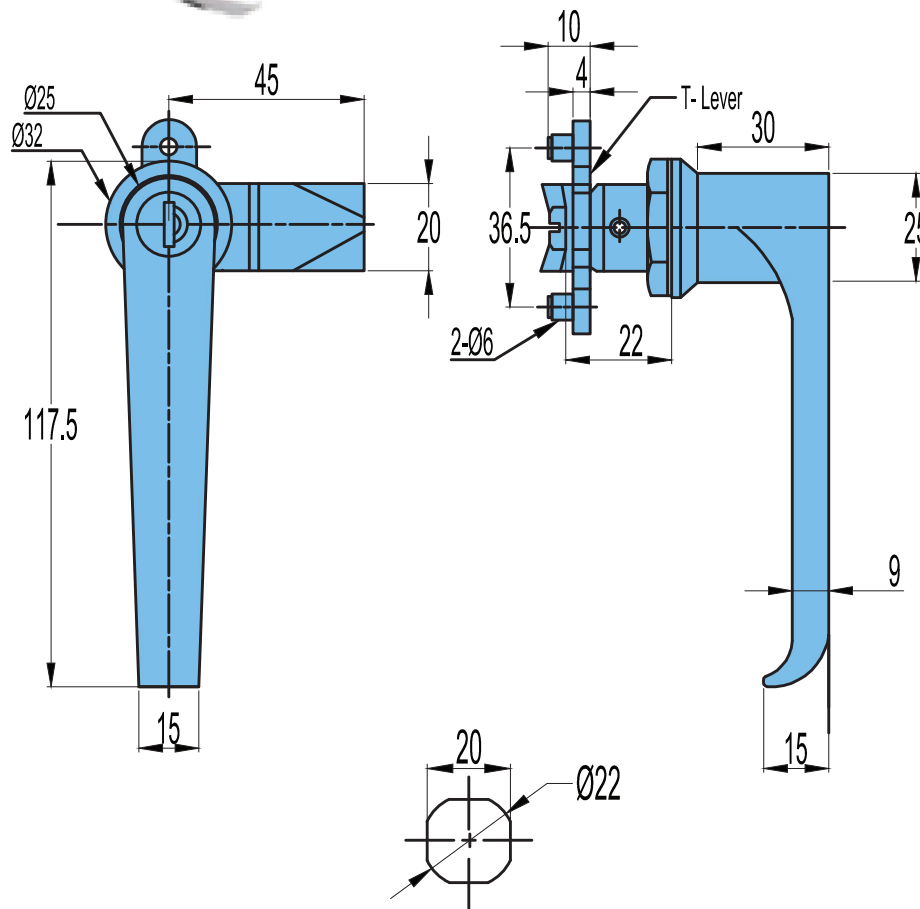
## KL-08



IP65

**Material** Zinc Die Casting - Body, Steel - Cam, Steel with Plastic Moulded- Key.

**Finish** Chrome Plating / Black Powder Coating.



CUT OUT