

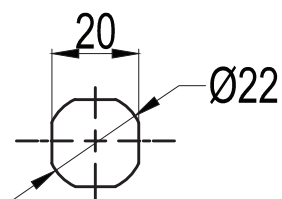
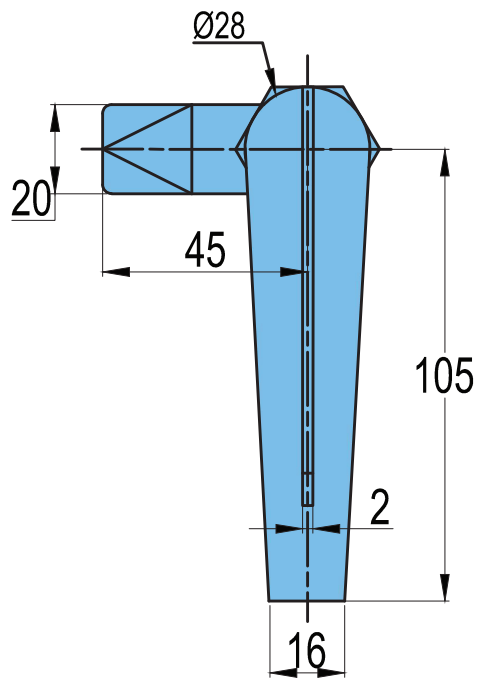
KL-08 A

IP65



Material Zinc Die Casting - Body, Steel- Cam,
Steel/Brass- Key.

Chrome Plating / Black Powder Coating.



CUT OUT

