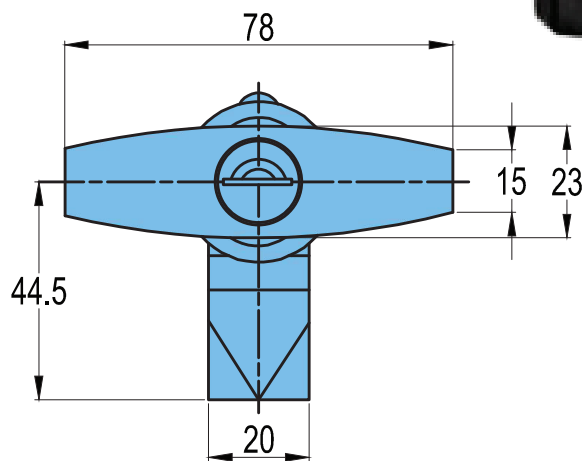
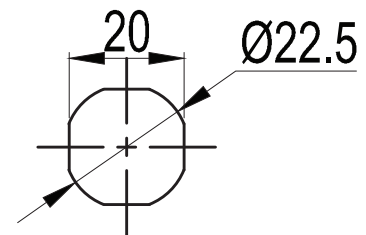
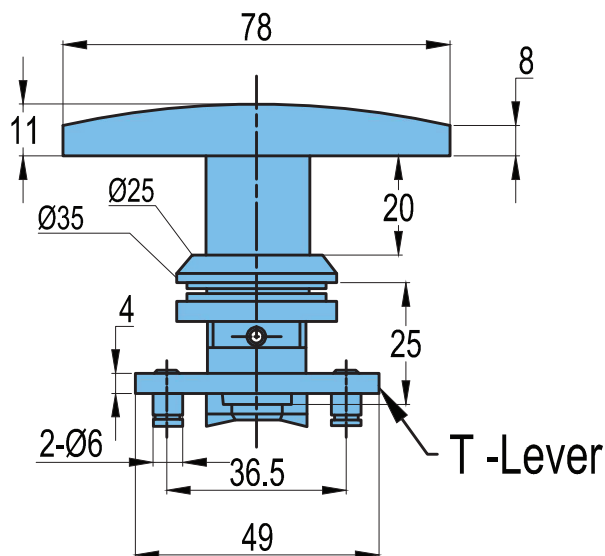


**KL-07**



**Material** Zinc Die Casting Body, Steel-Cam, Steel-Key.

**Finish** Chrome Plating/Black Powder Coating



**CUT OUT**