

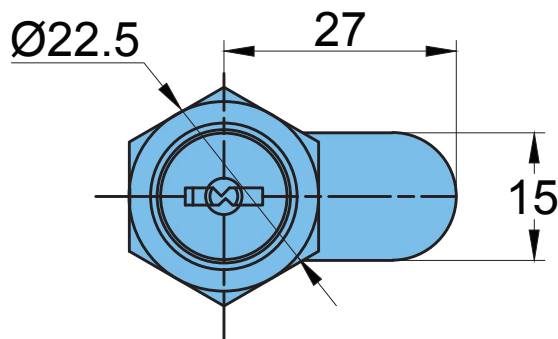
**KL-05-2**



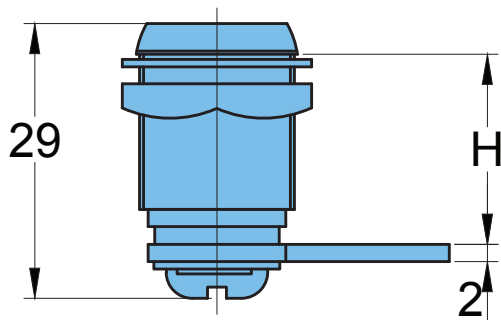
500 Different Key Combinations Available on request

**Material** Zinc Die Casting-Body, Steel Cam, Steel with Plastic Moulded- Key.

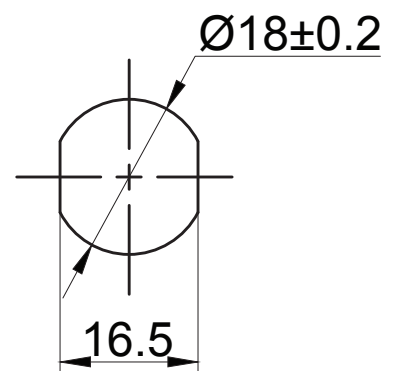
**Finish** Chrome Plating



Unique Key



H
17
25



**CUT OUT**