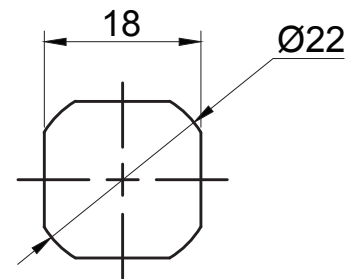
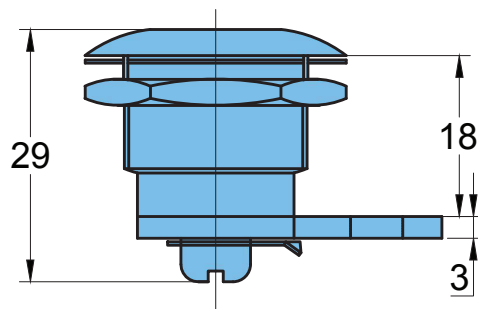
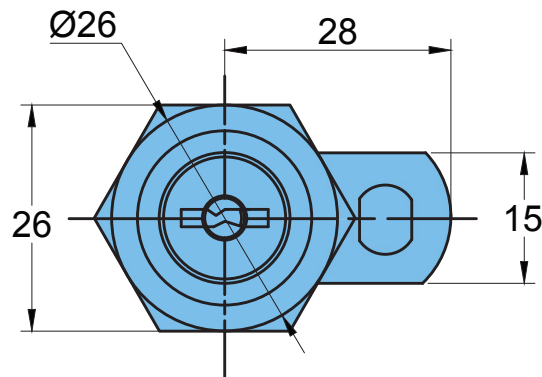


KL-02



Material Zinc Die Casting , Steel Cam, Steel Key with plastic moulded

Finish Chrome Plating



CUT OUT