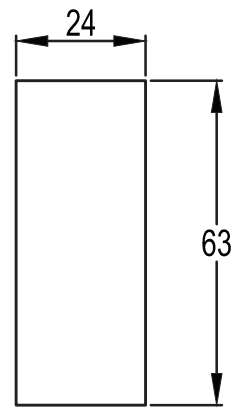
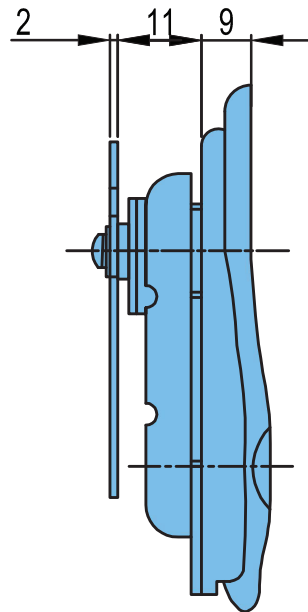
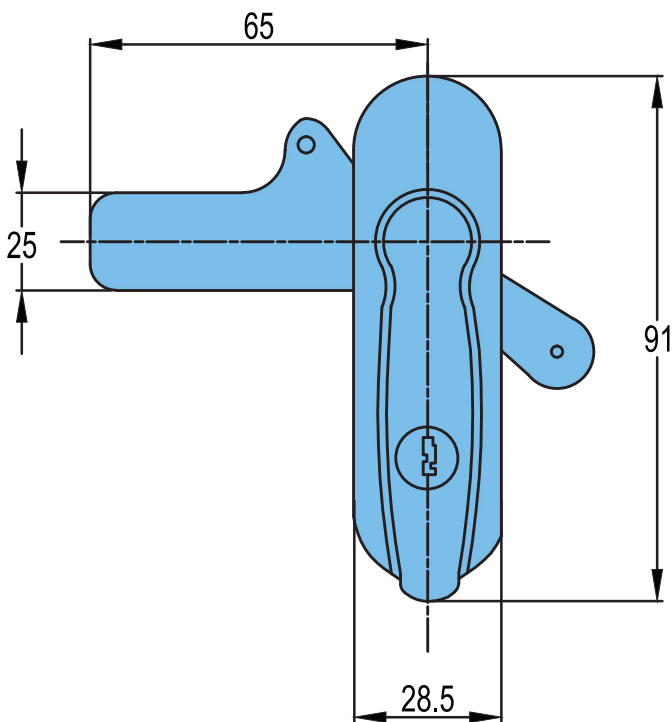


## AB-402-3-1



**Material** Zinc Die Casting Body,  
Steel-Cam.

**Finish** Grey Chrome Plating.



CUT OUT